

# WALL CABINET



## WALL CABINET

**Overall Dimensions:**

1200 (w) x 380 (d) x 600 mm (h)

**Shipping Dimensions:**

1200 (w) x 380 (d) x 600 mm (h)

**Shipping Weight:** 69 kg

**Material:**

Top: 1 mm 430 grade stainless steel

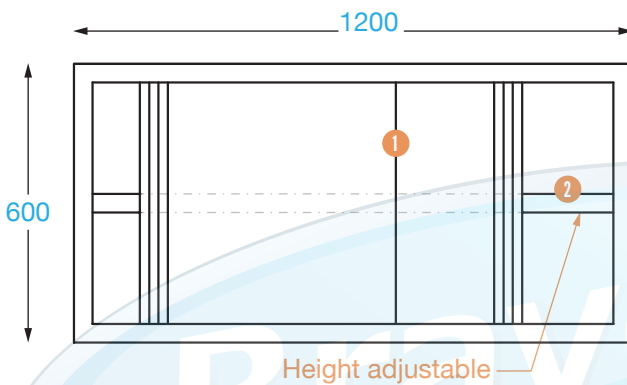
Door / Side / Internal:

0.8 mm 430 grade stainless steel

**PRODUCT CODE:** WALLCAB1200

Brayco Stainless Steel is made from 95% recycled materials

FRONT



SIDE



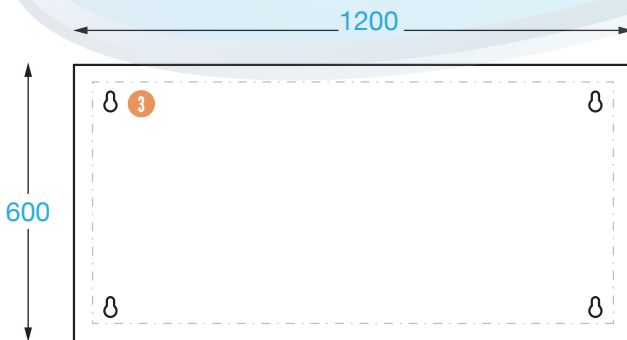
### FEATURES AND BENEFITS

- High Grade Stainless Steel.
- Construction: Our units are fully stainless steel. Very sturdy.
- Adjustable Shelf.
- 2 Sliding Doors.
- Supplied Fully Assembled: Simply attach feet/castors. No extra cost.

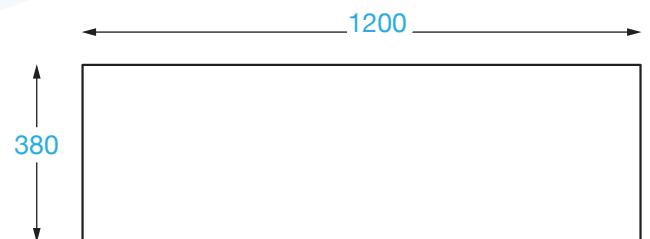
### INSTALLATION

- 4 holes in back of cabinets for installation. (Fixtures not included)

BACK



TOP



### COMPONENTS

- 1 Sliding doors      Top mounted ball-bearing stainless runners
- 2 Inner shelf        0.8 mm (height adjustable)
- 3 Installation        4 holes for installation (fixture not included)

It is important that your stainless steel is kept clean to extend the lifetime of the product.



Brisbane • Sydney • Melbourne • Hobart • Adelaide • Perth • Auckland  
 For more info please contact your nearest Brayco Branch 1300 272 926 | [brayco.com.au](http://brayco.com.au)

Whilst all care has been taken when compiling this information, designs & dimensions shown are indicative only and should not be relied upon without prior approval. Brayco reserves the right to make changes without notice.