

WALL MOUNTED PRE RINSE UNIT WITH POT FILLER TAP



PULL OUT MIXER TAP

Overall Dimensions:

See below drawings

Bench Hole Size: 35 mm

Flow Rate:

Trigger Valve: 4.0L/min

Pot Filler: 8.0L/min

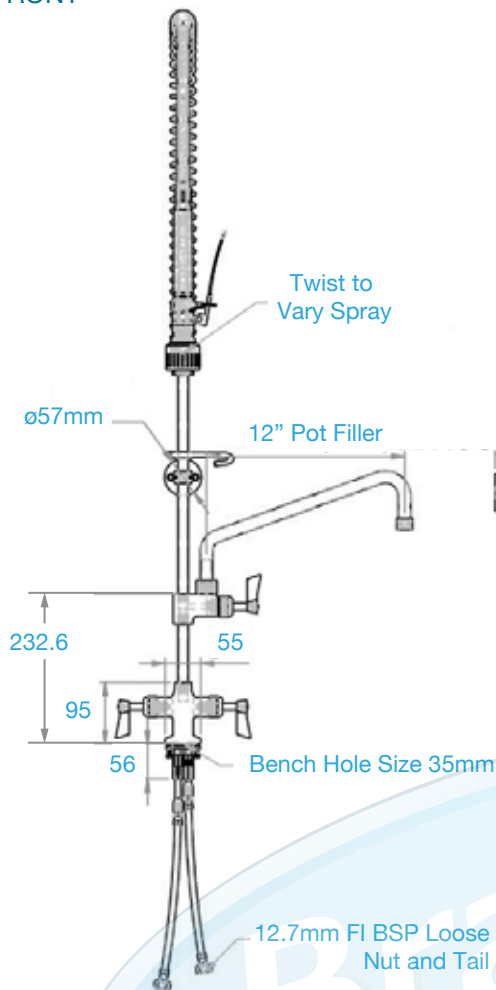
Shipping Dimensions:

1210 (w) x 290 (d) x 80 mm (h)

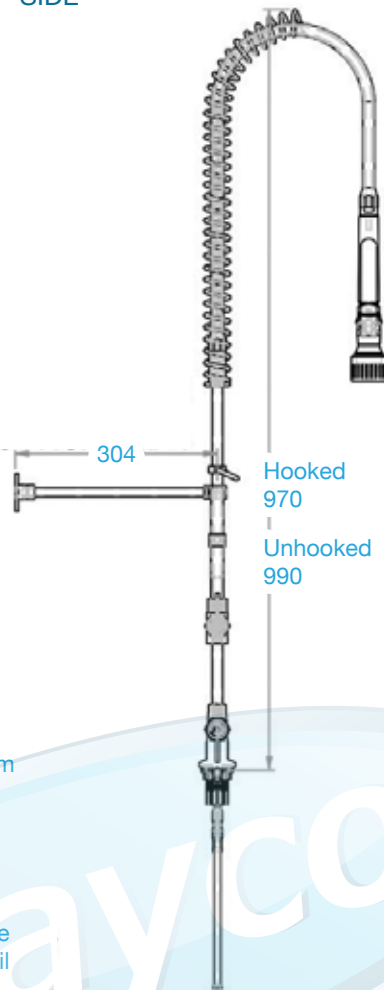
Shipping Weight: 7 kg

Material: Full stainless steel construction

FRONT



SIDE



PRODUCT CODE:

VT-TSPRAYPFL

FEATURES AND BENEFITS

- Jet and Spray Nozzle
- Swivel tap
- Red / Blue Indexing on Handle
- Dual Hob Tap Body Includes Inlet Hoses
- 1/2 Turn Rising Spindles
- Self Closing Trigger Valve
- Stay Open Clip for Prolonged Use
- Watermark and WELS Approved
- Minimal Assembly Required
- Supplied with Wall Bracket
- 12" Pot Filler Tap
- Working Pressure Range: 150kPa - 500kPa
- Maximum Operating Temperature: 80 degrees
- Drain included: NO
- Spout Width: 253.9 mm
- Spout Height: 1040 mm (Hooked)
1030 mm (Unhooked)

INSTALLATION

- Single-hole.
- Bench Hole Size: 35mm

CODES / STANDARDS

- WELS Registration Number T30469
License Number 1044
- Water Efficiency:
6 Star 4.0L/min Trigger Valve
3 Star 8.0/min Pot Filler



Product has been registered according to the requirements of the WELS standard (AS/NZS 6400:2016 Water efficient products - Rating and labeling).



Brisbane • Sydney • Melbourne • Hobart • Adelaide • Perth • Auckland
For more info please contact your nearest Brayco Branch 1300 272 926 | brayco.com.au