

# PRE RINSE UNIT



## PULL OUT MIXER TAP

### Overall Dimensions:

See below drawings

**Bench Hole Size:** 35 mm

**Flow Rate:** 4.0L/min

### Shipping Dimensions:

840 (w) x 290 (d) x 80 mm (h)

**Shipping Weight:** 5.1 kg

**Material:** Full stainless steel construction

### PRODUCT CODE:

TSPRAY: Jet Nozzle Only

VT-TSPRAY: Jet and Spray Nozzle

### FEATURES AND BENEFITS

- Red / Blue Indexing on Handle
- Swivel Tap
- Dual Hob Tap Body Includes Inlet Hoses
- 1/2 Turn Rising Spindles
- Self Closing Trigger Valve
- Stay Open Clip for Prolonged Use
- Watermark and WELS Approved
- Minimal Assembly Required
- Working Pressure Range: 150kPa - 500kPa
- Maximum Operating Temperature: 80 degrees
- Drain included: NO
- Spout Width: 216 mm
- Spout Height: 525 mm (Hooked)  
550 mm (Unhooked)

### INSTALLATION

- Single-hole.
- Bench Hole Size: 35mm

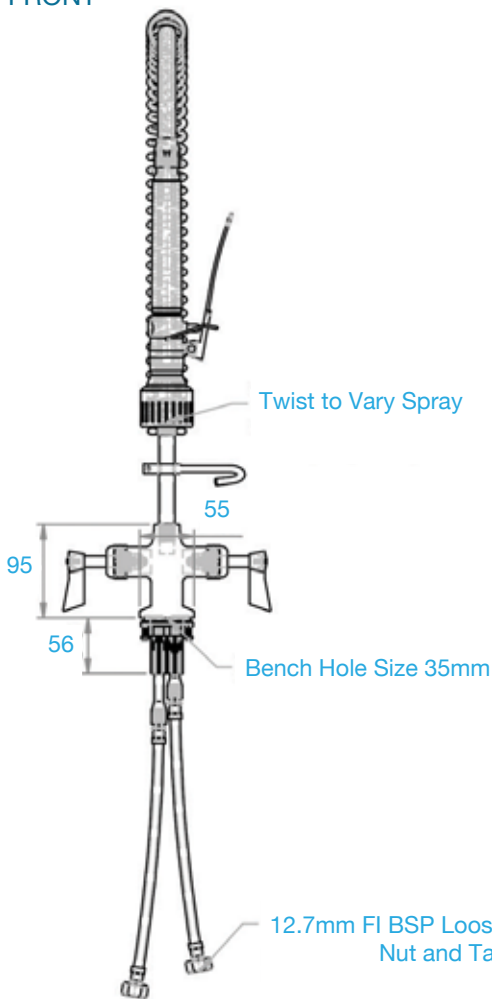
### CODES / STANDARDS

- WELS Registration Number T30470
- Nicene Number 1044
- Water Efficiency: 6 Star 4.0L/min Trigger Valve

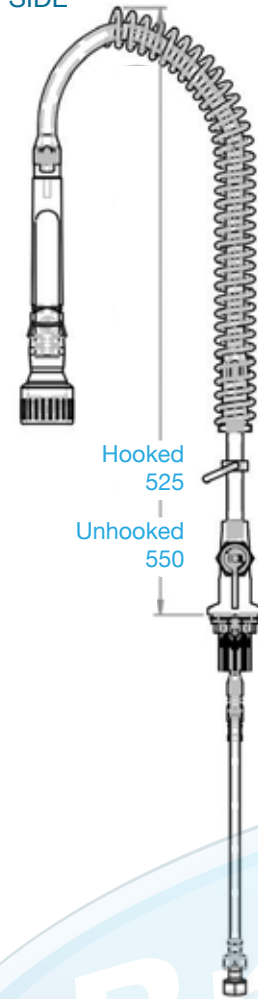


Product has been registered according to the requirements of the WELS standard (AS/NZS 6400:2016 Water efficient products - Rating and labeling).

FRONT



SIDE



Brisbane • Sydney • Melbourne • Hobart • Adelaide • Perth • Auckland

For more info please contact your nearest Brayco Branch 1300 272 926 | brayco.com.au