

# POLYPROPYLENE TROLLEY



## PP TROLLEY

**Overall Dimensions:**

1030 (w) x 510 (d) x 980 mm (h)

**Load Rating:** 40 kg per tray


**Shipping Dimensions:**

1000 (w) x 530 (d) x 230 mm (h)

**Shipping Weight:** 15.4 kg

**Material:** Polypropylene trays.  
Aluminium legs.

**PRODUCT CODE:** TR3TPL

 Brayco Stainless Steel is made from 95% recycled materials

### FEATURES AND BENEFITS

- Easy clean polypropylene trolley.
- Supplied Flat Pack: Simple assembly required.
- Running Castors: Heavy duty to withstand regular use.
- Fixed Height Trays.
- Secure Load: Trays are open on one side, raised on 3 sides. Easy to load and keeps your load secure.

### EXTRAS

- Cutlery and refuse bins hook onto sides

Model: PPBINC

Capacity: 8L

Dimensions:

335 (w) x 231 (d) x 180 mm(h)

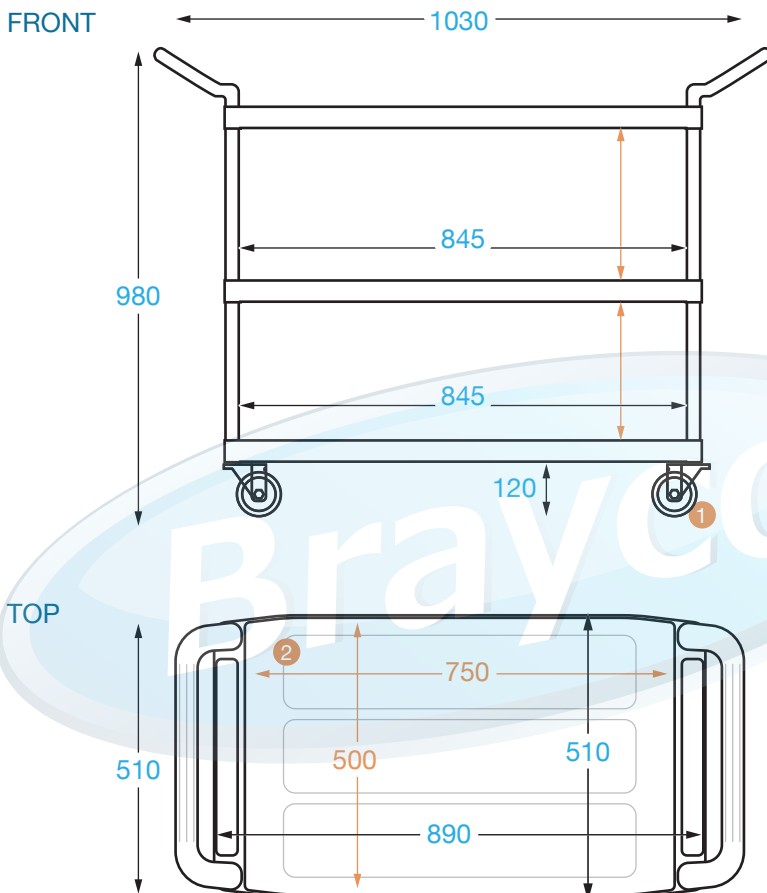


Model: PPBINR

Capacity: 20L

Dimensions:

335 (w) x 231 (d) x 445 mm(h)



### COMPONENTS

- |   |                          |                        |
|---|--------------------------|------------------------|
| ① | Castors                  | 4 x heavy duty castors |
| ② | Trays - Inner Dimensions | 750 x 500 mm           |
|   | Outer Dimensions         | 890 x 510 mm           |



Brisbane • Sydney • Melbourne • Hobart • Adelaide • Perth • Auckland

For more info please contact your nearest Brayco Branch 1300 272 926 | [brayco.com.au](http://brayco.com.au)