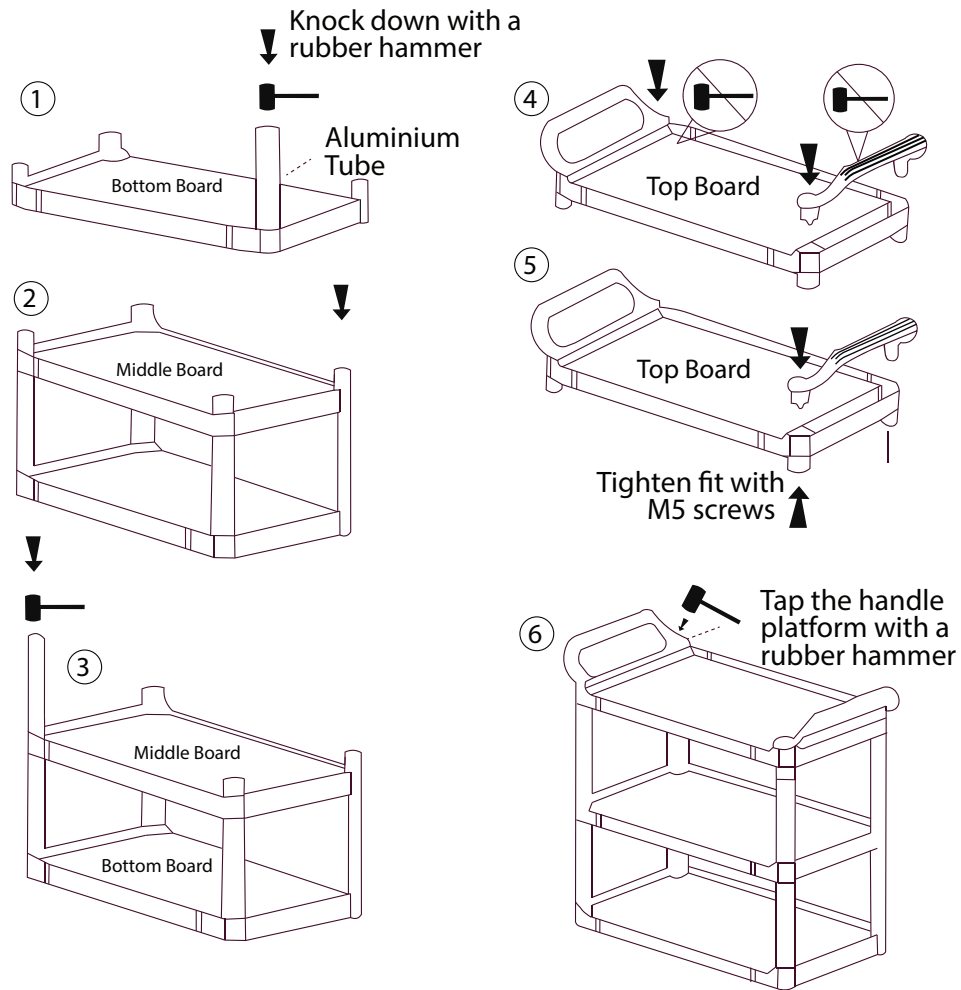


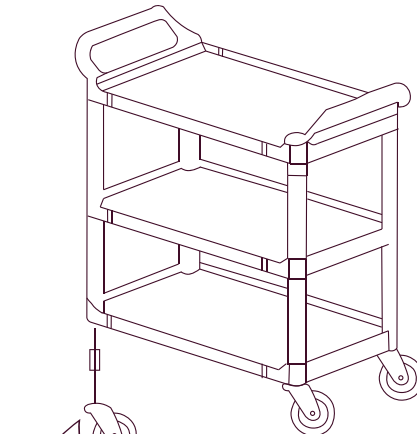
Polypropylene Trolley Assembly Instructions

CODE: TR3TPL

You will need to use a rubber hammer during assembly.
If you have any questions please give us a call.

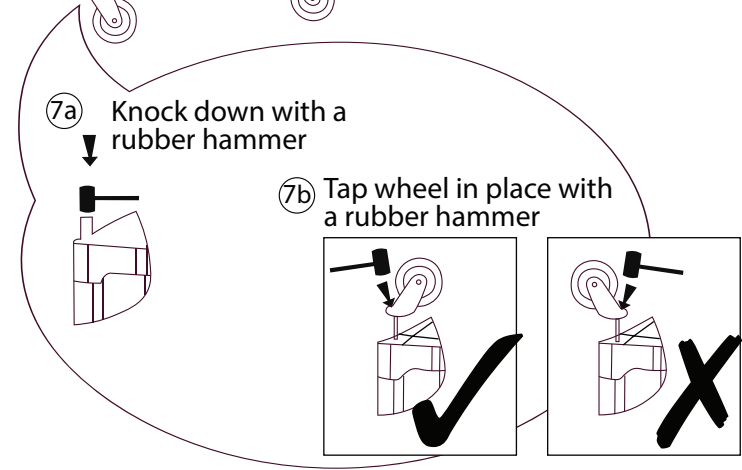


7. Note: Use a rubber hammer



7a. Knock down with a rubber hammer

7b. Tap wheel in place with a rubber hammer



NB: LIGHTLY Tap down and toward trolley.
Not away from trolley.

For more information please contact your nearest Brayco Branch
AUSTRALIA
1300 272 926
customercare@brayco.com.au
Brayco.com.au
NEW ZEALAND
09 271 5000
sales@braycostainless.co.nz
Braycostainless.co.nz

