

HEAVY DUTY STAINLESS STEEL TROLLEY



3 TIER TROLLEY

Overall Dimensions:

1090 (w) x 480 (d) x 920 mm (h)

Load Rating: 35 kg per tray

Shipping Dimensions:


1120 (w) x 500 (d) x 200 mm (h)

Shipping Weight: 20 kg

Material:

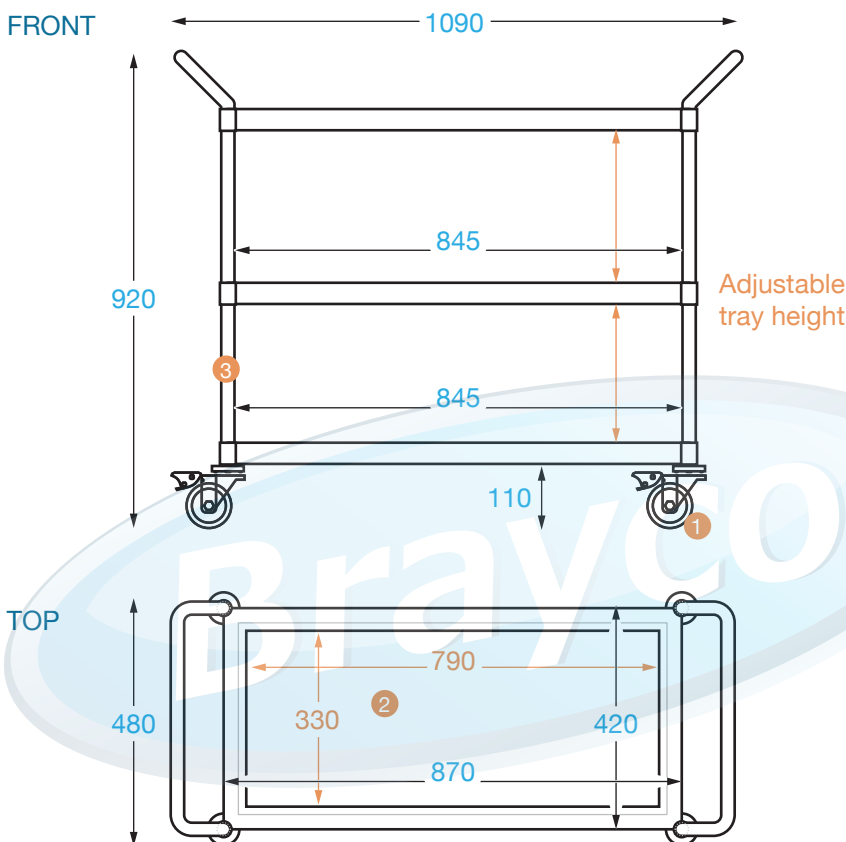
Trays: 1 mm 304 grade stainless steel
Poles & Handles: 1 mm 201 grade stainless steel

PRODUCT CODE: TR3TIER

 Brayco Stainless Steel is made from 95% recycled materials

FEATURES AND BENEFITS

- **Built Tough:** Heavy duty trolley with strong castors and handles.
- **Supplied Flat Pack:** Simple assembly required.
- **4 Lockable Castors:** Castors are the same as our benches. Rugged and fantastic quality.
- **Smart Design:** Trays feature an angled lip design which prevents spillage, accidents.
- **Adjustable Height Trays.**



COMPONENTS

- | | | |
|---|--------------------------|----------------------|
| 1 | Castors | 4 x lockable castors |
| 2 | Trays - Inner Dimensions | 790 x 330 mm |
| | Outer Dimensions | 870 x 420 mm |
| 3 | Poles & Handles | Ø 25 mm |



It is important that your stainless steel is kept clean to extend the lifetime of the product.



Brisbane • Sydney • Melbourne • Hobart • Adelaide • Perth • Auckland
For more info please contact your nearest Brayco Branch 1300 272 926 | brayco.com.au