

# MEDIUM DUTY STAINLESS STEEL TROLLEY



## 3 TIER TROLLEY

### Overall Dimensions:

910 (w) x 580 (d) x 950 mm (h)

**Load Rating:** 25 kg per tray

### Shipping Dimensions:


920 (w) x 610 (d) x 140 mm (h)

**Shipping Weight:** 15 kg

### Material:

Trays: 0.8 mm 430 grade stainless steel  
Poles & Handles: 0.8 mm 201 grade stainless steel

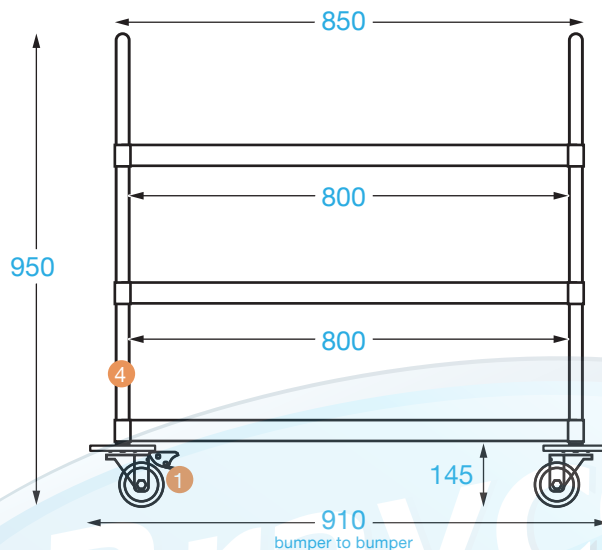
**PRODUCT CODE:** TR3TIERN

 Brayco Stainless Steel is made from 95% recycled materials

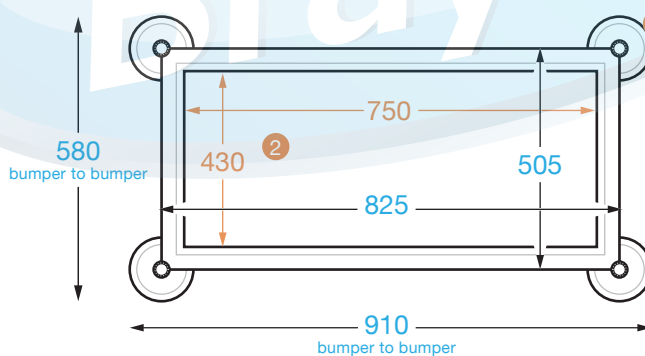
### FEATURES AND BENEFITS

- **Supplied Flat Pack:** Simple assembly required.
- **4 Heavy Duty Castors:** Includes 2 lockable castors.
- **Smart Design:** Trays feature an angled lip design which prevents spillage or accidents.
- **Bumpers:** Thick rubber bumpers protect your walls and cushion against collision damage.
- **Fixed Height Trays.**

FRONT



TOP



### COMPONENTS

- |   |                          |   |
|---|--------------------------|---|
| ① | Castors                  | 4 x heavy duty (include 2 lockable castors) |
| ② | Trays - Inner Dimensions | 750 x 430 mm                                |
|   | Outer Dimensions         | 825 x 505 mm                                |
| ③ | Bumpers                  |   |
| ④ | Poles & Handles          | Ø 25 mm                                     |



It is important that your stainless steel is kept clean to extend the lifetime of the product.



Brisbane • Sydney • Melbourne • Hobart • Adelaide • Perth • Auckland

For more info please contact your nearest Brayco Branch 1300 272 926 | [brayco.com.au](http://brayco.com.au)