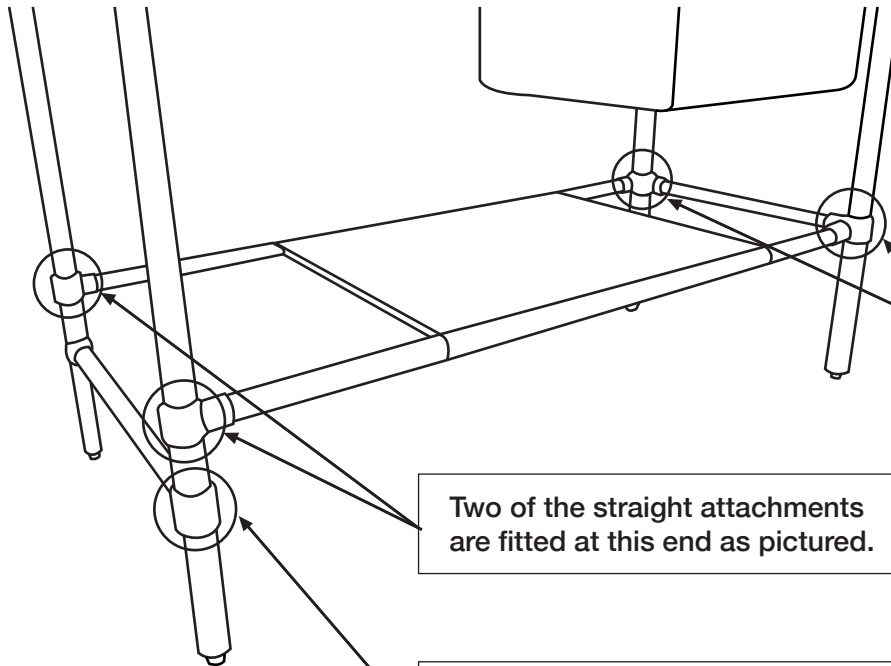


SINK SHELF INSTALLATION



Included in your sink rail kit is:

- 2 long bars
- 2 short bars
- 2 corner attachments
- 4 straight attachments

Use the 2 corner brackets on the right hand side of the sink.

Two of the straight attachments are fitted at this end as pictured.

Keep the shorter bar independent on the left side with the other two straight attachments.

Sink shelf must be installed during assembly.

The Sink shelf is designed to slide onto the front and back sink rails. In order for this to fit securely, you need to make sure that these two bars are at the same height. Please refer to the picture above when constructing the frame work for the sink.



Commercial grade stainless steel.
Benches, Sinks and Shelves at everyday low prices.

