

SINGLE SINK WITHOUT BENCH



This 700 mm sink range is modular to the Brayco 700 mm deep cabinets and splashback benches.



700 SERIES SINK

Overall Dimensions:

665 (w) x 700 (d) x 1050 mm (h)

Bowl Size:

500 (w) x 450 (d) x 300 mm (h)

Capacity: 67 L

Shipping Weight: 21.8 kg

Shipping Dimensions:

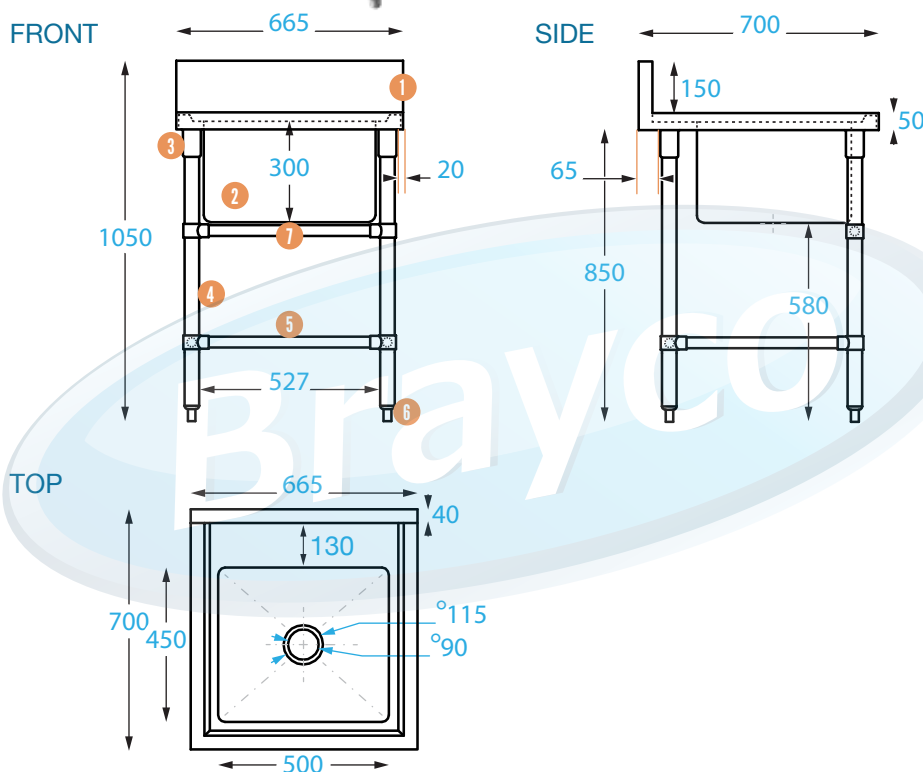
Sink: 665 (w) x 700 (d) x 460 mm (h)

Legs: 1320 (w) x 170 (d) x 100 mm (h)

Material:

Top: 1.2 mm 304 grade stainless steel

Legs: 201 grade 42 mm diameter stainless steel



COMPONENTS

- | | | |
|---|-------------------|-----------------------------|
| 1 | Splashback | 150 mm (high), 40 mm (deep) |
| 2 | Fully welded bowl | 67 ltr capacity |
| 3 | Welded sockets | 1.2 mm |
| 4 | Stainless legs | Ø 42 mm |
| 5 | Rails | Ø 32 mm |
| 6 | Adjustable feet | up to 35 mm (max) |
| 7 | Waste outlet | 90 mm (diameter) |

DIMENSIONS

+ These products are compliant with all applicable Australian health department regulations.

! It is important that your stainless steel is kept clean to extend the lifetime of the product.

PRODUCT CODE: SSN


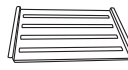



Brayco Stainless Steel is made from 95% recycled materials

FEATURES AND BENEFITS

- Sink drainer Included.
- Construction: Our units are fully stainless steel. Very sturdy.
- Bowl: Fully welded for strength and superior durability.
- Tap Location: Untapped to allow for universal plumbing as required.
- Bar work: Fully adjustable.
- Supplied Flat Packed: Simple assembly, instructions included.

OPTIONS

- **Splashback Extension:**  Convert your sink to a corner unit.
- **Slatted Sink Cover:** Ideal drainer tray or to rinse food.  Code: SCH500
- **Sink Cover:** Create extra work space.  Code: SCB500



Brisbane • Sydney • Melbourne • Hobart • Adelaide • Perth • Auckland
 For more info please contact your nearest Brayco Branch 1300 272 926 | brayco.com.au