

300 mm CORNER WALL MOUNTED SHELVES



300 SERIES FLAT SHELF

Overall Dimensions:

Shelf: 500 x 285 x 285 x 500 x 180mm (h)

Splashback Height: 40mm (h)

Load Capacity: see below

Shipping Dimensions:

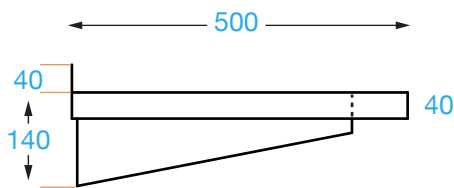
370 (w) x 370 (d) x 90mm (h)

Shipping Weight: 3 kg

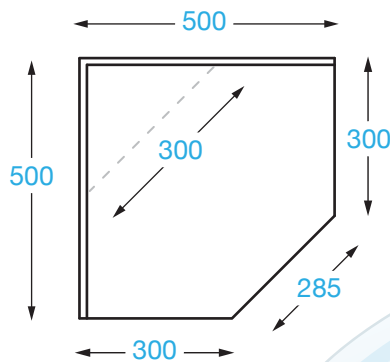
Material:

Full 430 grade stainless steel

FRONT / SIDE



TOP



PRODUCT CODE: SHSSC30



Brayco Stainless Steel is made from 95% recycled materials

FEATURES AND BENEFITS

- **Construction:** Stainless steel.
- **Wall Brackets:** 2 wall brackets with fixings to the shelf (wall fixings not supplied). Shelf has a middle bracket for extra support.
- **Supplied Flat Pack:** Simple assembly required.

Also available:

- 450 mm Deep Corner Wall Shelf: Perfect to fit a Microwave.

⚠ It is important that your stainless steel is kept clean to extend the lifetime of the product.

LOAD CAPACITY

These shelves can take a LOT of weight. However, the exact weight rating of each wall shelf depends primarily on the following factors –

- How it is attached to a wall (e.g. the type/size of screws, bolts and/or wall plugs)
- The type of wall you are fixing the shelf to – plasterboard, concrete, single or double wall, etc.

A shelf mounted to something solid (like wall studs or masonry block) will maintain a much higher weight capacity than a shelf fixed to Gyprock, for example.

Please Note: Longer wall shelves have a middle bracket for extra strength, please ensure you fit these.



Brisbane • Sydney • Melbourne • Hobart • Adelaide • Perth • Auckland
For more info please contact your nearest Brayco Branch 1300 272 926 | brayco.com.au