

4-TIER STAINLESS STEEL SHELF 500mm DEEP



4-TIER STAINLESS STEEL SHELF

Overall Dimensions:

1500 (w) x 500 (d) x 1800 mm (h)

Load Capacity: 50 kg per shelf

Shipping Dimensions:

Shelves: 1495 (w) x 495 (d) x 220 mm (h)

Legs: 1830 (w) x 100 (d) x 90 mm (h)


Shipping Weight: 50.3 kg

Material:

Shelves: 1.2 mm 430 grade stainless steel

Legs: 201 grade 42 mm diameter stainless steel

PRODUCT CODE: SHSS4T15

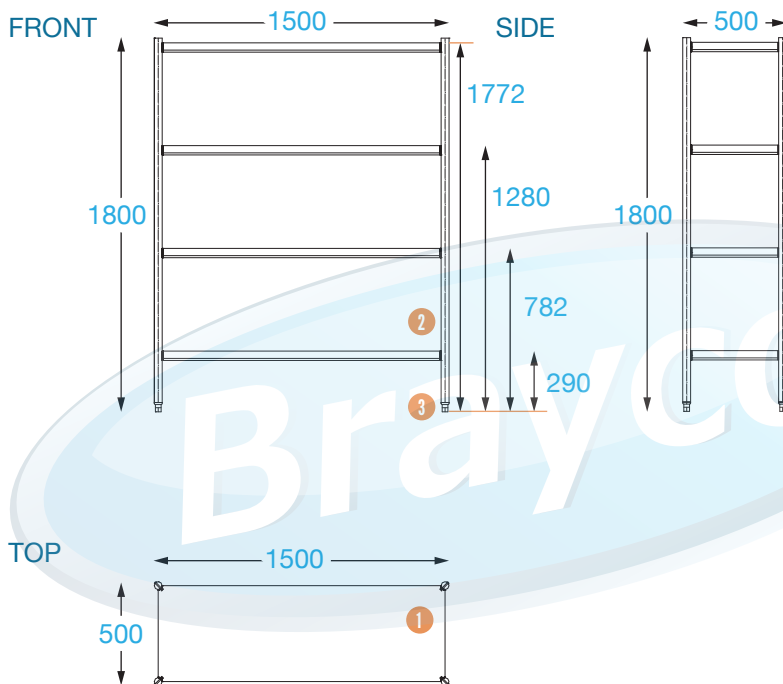
 Brayco Stainless Steel is made from 95% recycled materials

FEATURES AND BENEFITS

- **Supplied Flat Pack:** Simple assembly required.
- **Construction:** Our units are fully stainless steel with round legs.
- **Adjustable Feet:** Supplied attached to leg.

OTHER SIZES AVAILABLE:

- SHSS4T9
900 (w) x 510 (d) x 1800 mm (h).
- SHSS4T12
1200 (w) x 510 (d) x 1800 mm (h).



COMPONENTS

- | | |
|-------------------|---|
| ① Shelves | 1.2 mm 430 grade stainless steel |
| Load Capacity | 50 kg per shelf, load must be evenly spaced across the length of the shelf. |
| ② Legs | ø 42 mm |
| ③ Adjustable feet | up to 38 mm |



It is important that your stainless steel is kept clean to extend the lifetime of the product.



For more info please contact your nearest Brayco Branch 1300 272 926 | brayco.com.au