

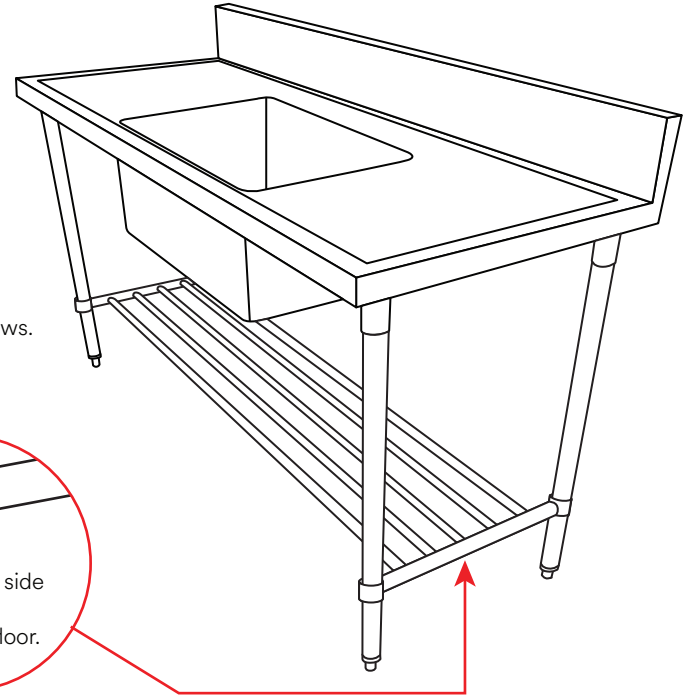


## ASSEMBLY INSTRUCTIONS

### Pipe Undershell for Sinks

#### Replace your sink rails with this pipe undershell.

1. Make sure you face the side with the draining hole towards the floor.
2. Slide your pipe undershell onto the legs.
3. Use grub screws to hold the shelf in place. DO NOT over tighten. We recommend your assemble at 200mm from the floor.
4. Make sure you level your pipe undershell, you can now tighten these screws.



Draining hole side  
should face  
towards the floor.

#### Safety Tips:

- While all care has been taken to remove sharp edges, use caution cleaning or handling to minimise the risk of injury from exposed metal edges.
- We recommend you assemble on cardboard to protect your wall shelf during construction.

Thank you for your purchase. To learn more about our products, please visit [www.brayco.com.au](http://www.brayco.com.au) and [www.braycostainless.co.nz](http://www.braycostainless.co.nz).

AU: Call: 1300 272 926 Email: [customer@brayco.com.au](mailto:customer@brayco.com.au)  
NZ: Call: 09 271 5000 Email: [sales@braycostainless.co.nz](mailto:sales@braycostainless.co.nz)

Please recycle these instructions