

AXIL PULL OUT KITCHEN MIXER TAP



PULL OUT MIXER TAP

Overall Dimensions:

See below drawings

Bench Hole Size: 35 mm

Flow Rate: 6.0L/min

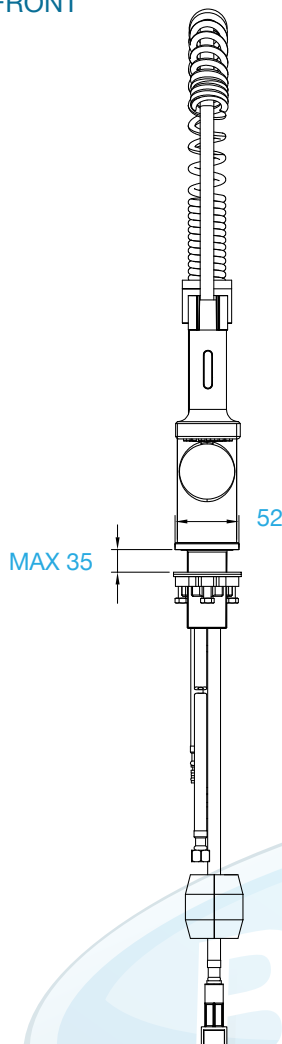
Shipping Dimensions:

600 (w) x 330 (d) x 80 mm (h)

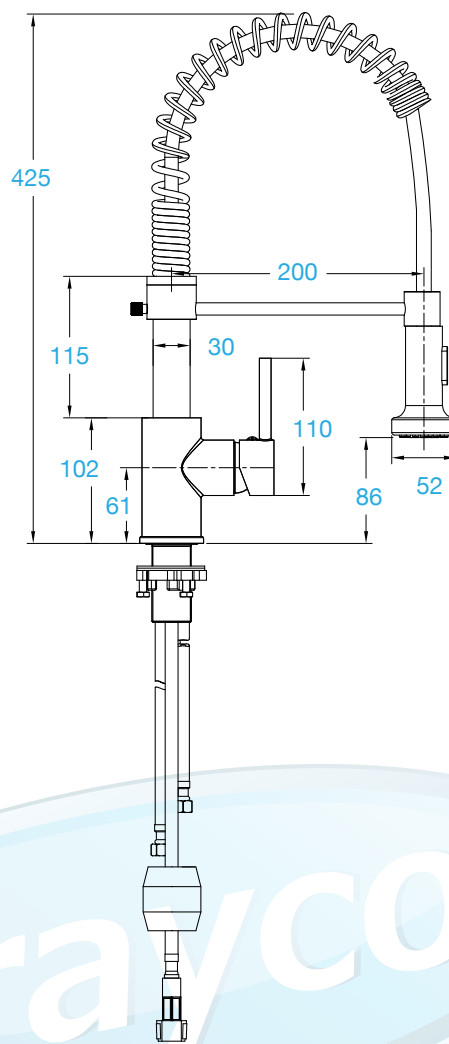
Shipping Weight: 3.1 kg

Material: Premium metal construction. Finishing resists corrosion and tarnishing.

FRONT



SIDE



PRODUCT CODE: POKITMIX

FEATURES AND BENEFITS

- Red / Blue Indexing on Handle
- Swivel Tap
- Single Lever Handle: Allows for on / off activation
- Ceramic Disc Valves: Exceed industry longevity standards for a lifetime of durable performance
- Watermark and WELS Approved
- Minimal Assembly Required

- Valve Body: DR Brass
- Drain included: NO
- Spout Length: 205 mm
- Spout Height: 86 mm

INSTALLATION

- Single-hole.
- Bench Hole Size: 35mm

CODES / STANDARDS

- WELS Registration Number T35039
Nicene Number 1379
- Water Efficiency: 5 Star 6.0L/min Trigger Valve



Product has been registered according to the requirements of the WELS standard (AS/NZS 6400:2016 Water efficient products - Rating and labeling).



Brisbane • Sydney • Melbourne • Hobart • Adelaide • Perth • Auckland
For more info please contact your nearest Brayco Branch 1300 272 926 | brayco.com.au