

MEDICAL TROLLEY 762mm DEEP



MEDICAL TROLLEY

Overall Dimensions:

762 (w) x 762 (d) x 900 mm (h)

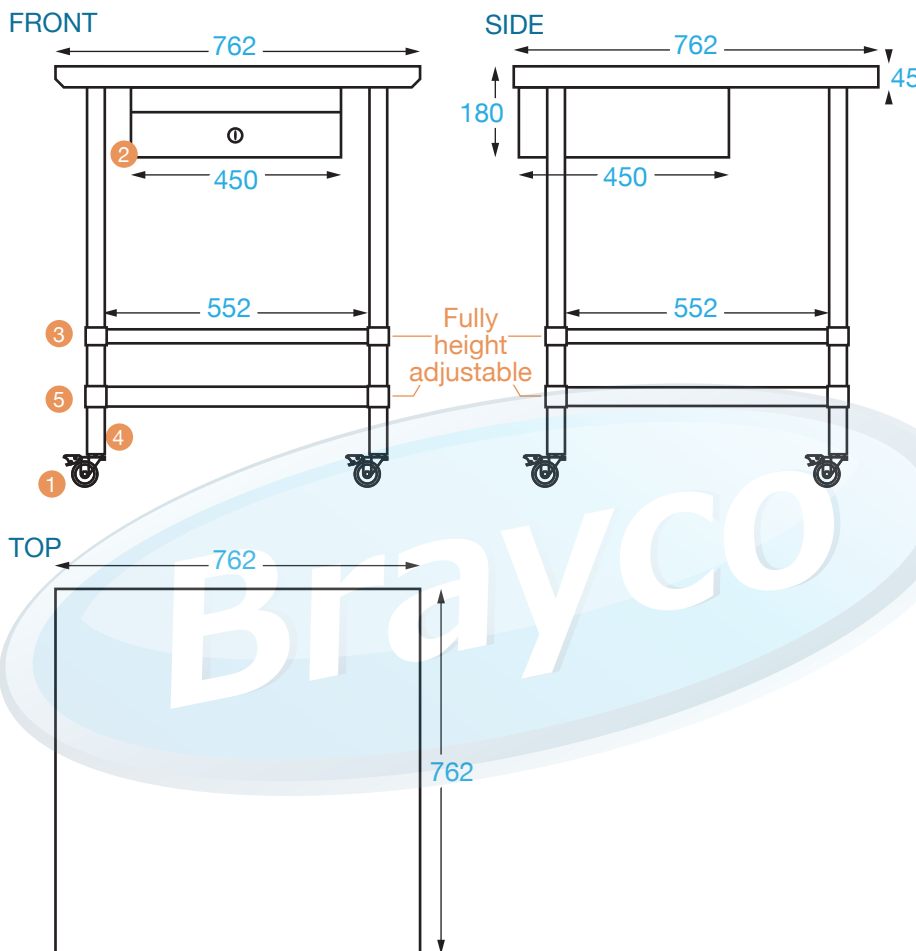
Shipping Dimensions:

Bench: 900 (w) x 810 (d) x 100 mm (h)
 Undershelf: 680 (w) x 600 (d) x 70 mm (h)
 Drawer: 570 (w) x 540 (d) x 240 mm (h)
 Rail Kit: 235 (w) x 155 (d) x 90 mm (h)
 Rails: 610 (w) x 90 (d) x 50 mm (h)
 490 (w) x 90 (d) x 50 mm (h)
 Wheels: 990 (w) x 130 (d) x 70 mm (h)

Shipping Weight: 44.4 kg

Material:

Top: 1.2 mm 304 grade stainless steel
 Undershelf: 430 grade stainless steel
 Leg Brace Rails: 201 grade stainless steel
 Legs: 410 grade 42 mm diameter stainless steel



PRODUCT CODE:

MEDTROL-SM

Brayco Stainless Steel is made from 95% recycled materials

FEATURES AND BENEFITS

- **Construction:** Fully stainless steel, very sturdy.
- **Lockable Drawer:** Single lockable drawer with 2 keys supplied.
- **4 Lockable Castors:** Rugged and fantastic quality.
- **Bar Work:** 3 support bars, fully height adjustable. Keep items safely on your shelf
- **Adjustable Height Undershelf.**
- **Supplied Flat Pack:** Simple assembly required.
- **Not the right size?**
Give us a call - we can help.

COMPONENTS

- | | | |
|---|--------------|--|
| 1 | Castors | 4 x lockable castors |
| 2 | Drawers | Internal: 420 (w) x 420 (d) x 90 mm (h)
Overall: 450 (w) x 450 (d) x 150 mm (h) |
| 3 | Legs | ø42 |
| 4 | Support bars | ø32, fully height adjustable |
| 5 | Undershelf | Fully height adjustable |



These products are compliant with all applicable Australian health department regulations.



It is important that your stainless steel is kept clean to extend the lifetime of the product.



Brisbane • Sydney • Melbourne • Hobart • Adelaide • Perth • Auckland

For more info please contact your nearest Brayco Branch 1300 272 926 | brayco.com.au