

AXIL KITCHEN MIXER TAP



MIXER TAP

Overall Dimensions:

See below drawings

Bench Hole Size: 35 mm

Flow Rate: 7.5L/min

Shipping Dimensions:

420 (w) x 27.5 (d) x 95 mm (h)

Shipping Weight: 1.3 kg

Material: Premium metal construction. Finishing resists corrosion and tarnishing.

PRODUCT CODE: KITMIX

FEATURES AND BENEFITS

- Red / Blue Indexing on Handle
- Swivel Tap
- Single Lever Handle: Allows for on / off activation
- Ceramic Disc Valves: Exceed industry longevity standards for a lifetime of durable performance
- Watermark and WELS Approved
- Minimal Assembly Required

- Valve Body: DR Brass
- Drain included: NO
- Spout Length: 221 mm
- Spout Height: 115 mm

INSTALLATION

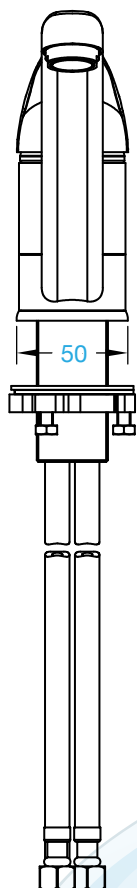
- Single-hole.
- Bench Hole Size: 35mm

CODES / STANDARDS

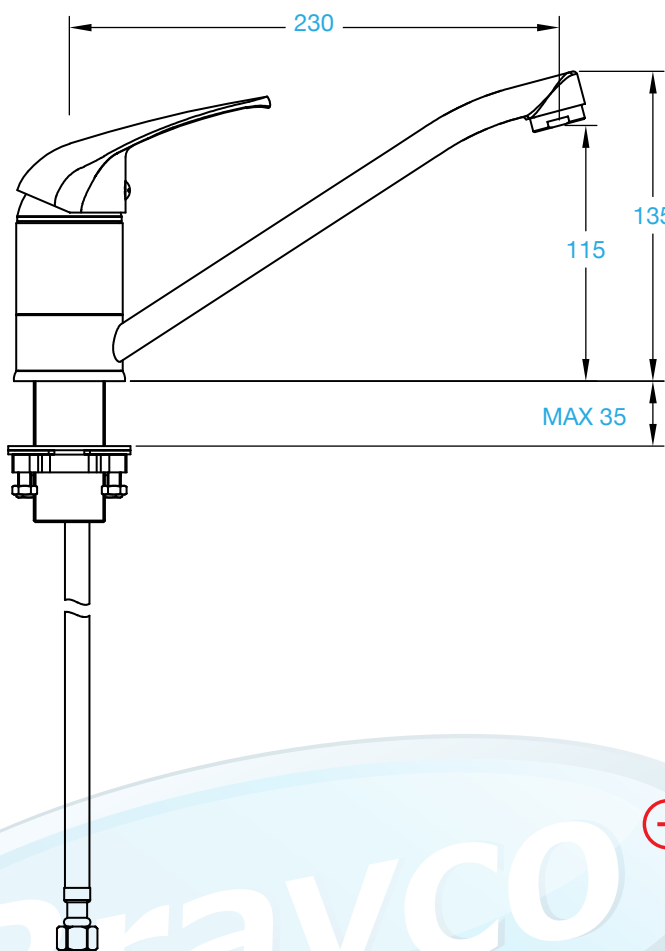
- WELS Registration Number T30755
Nicene Number 1379
- Water Efficiency: 4 Star 7.5L/min Trigger Valve

+ Product has been registered according to the requirements of the WELS standard (AS/NZS 6400:2016 Water efficient products - Rating and labeling).

FRONT



SIDE



Brayco



Brisbane • Sydney • Melbourne • Hobart • Adelaide • Perth • Auckland
For more info please contact your nearest Brayco Branch 1300 272 926 | brayco.com.au

Whilst all care has been taken when compiling this information, designs & dimensions shown are indicative only and should not be relied upon without prior approval. Brayco reserves the right to make changes without notice.