

INSET SINK



INSET SINK

Overall Dimensions:

490 (w) x 340 (d) x 300 mm (h)

Bowl Size:

450 (w) x 300 (d) x 300 mm (h)

Capacity: 40 L


Shipping Dimensions:

490 (w) x 340 (d) x 300mm (h)

Shipping Weight: 5.1kg

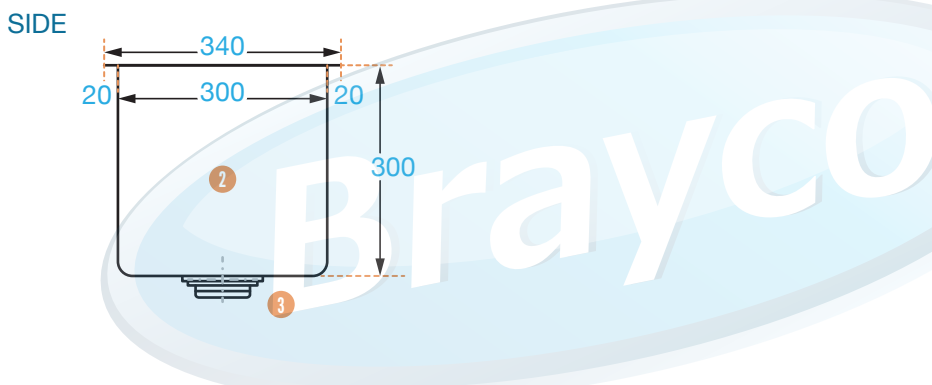
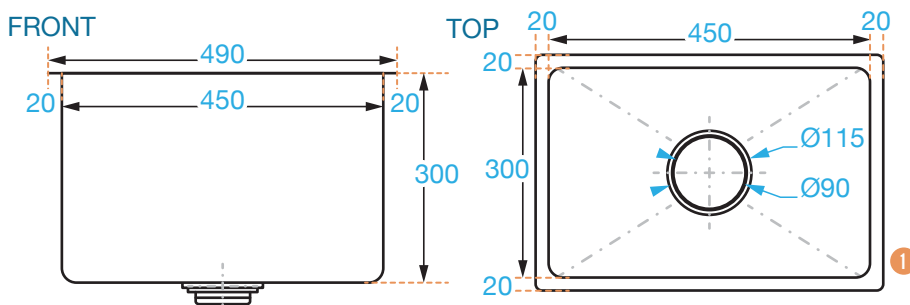
Material: 1 mm food-grade 304 stainless steel.

PRODUCT CODE: INS4530

 Brayco Stainless Steel is made from 95% recycled materials

FEATURES AND BENEFITS

- Fully Stainless Steel: Food grade 304 stainless steel. STRONG.
- Construction: Fully welded for strength and superior durability.
- 20 mm lip: Suitable for top-mount.
- Sink Drainer Included.



COMPONENTS

- 1 Lip
- 2 Fully welded bowls
- 3 Waste Outlet

DIMENSIONS

- 20 mm
40 ltr capacity
90 mm (diameter)



It is important that your stainless steel is kept clean to extend the lifetime of the product.



Brisbane • Sydney • Melbourne • Hobart • Adelaide • Perth • Auckland
For more info please contact your nearest Brayco Branch 1300 272 926 | brayco.com.au