

# AXIL GOOSE NECK KITCHEN MIXER TAP



## MIXER TAP

### Overall Dimensions:

See below drawings

**Bench Hole Size:** 35 mm

**Flow Rate:** 7.5L/min

### Shipping Dimensions:

525 (w) x 255 (d) x 65 mm (h)

**Shipping Weight:** 2.2 kg

**Material:** Premium metal construction. Finishing resists corrosion and tarnishing.

**PRODUCT CODE:** GOKITMIX

## FEATURES AND BENEFITS

- Red / Blue Indexing on Handle
- Swivel Tap
- Single Lever Handle:
  - Allows for on / off activation
- Ceramic Disc Valves:
  - Exceed industry longevity standards for a lifetime of durable performance
- Watermark and WELS Approved
- Minimal Assembly Required

- Valve Body: DR Brass
- Drain included: NO
- Spout Length: 179 mm
- Spout Height: 326 mm

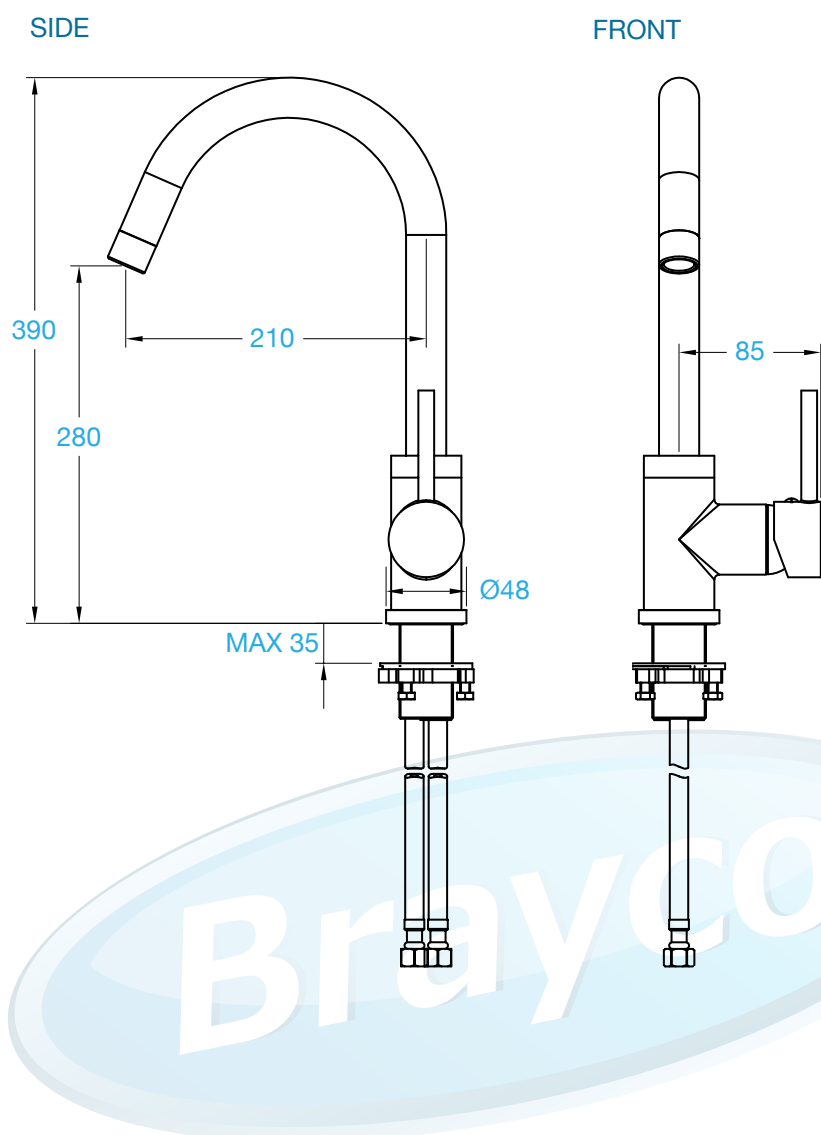
## INSTALLATION

- Single-hole.
- Bench Hole Size: 35mm

## CODES / STANDARDS

- WELS Registration Number T30753  
Nicene Number 1379
- Water Efficiency:  
4 Star 7.5L/min Trigger Valve

**+** Product has been registered according to the requirements of the WELS standard (AS/NZS 6400:2016 Water efficient products - Rating and labeling).



Brisbane • Sydney • Melbourne • Hobart • Adelaide • Perth • Auckland  
For more info please contact your nearest Brayco Branch 1300 272 926 | [brayco.com.au](http://brayco.com.au)