

DOUBLE SINK WITHOUT BENCH



This 610 mm sink range is modular to the Brayco 610 mm deep cabinets, benches and splashback benches.



610 SERIES SINKS

Overall Dimensions:

1000 (w) x 610 (d) x 1050 mm (h)

Bowl Size:

400 (w) x 400 (d) x 300 mm (h) ea

Capacity: 48 L ea

Shipping Dimensions:

Sink: 1000 (w) x 700 (d) x 460 mm (h)

Legs: 1290 (w) x 170 (d) x 100 mm (h)


Shipping Weight: 27.3 kg

Material:

Top: 1.2 mm 304 grade stainless steel

Legs: 201 grade 42 mm diameter stainless steel


PRODUCT CODE: DSM610

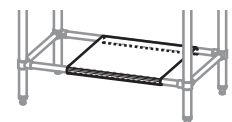
 Brayco Stainless Steel is made from 95% recycled materials

FEATURES AND BENEFITS

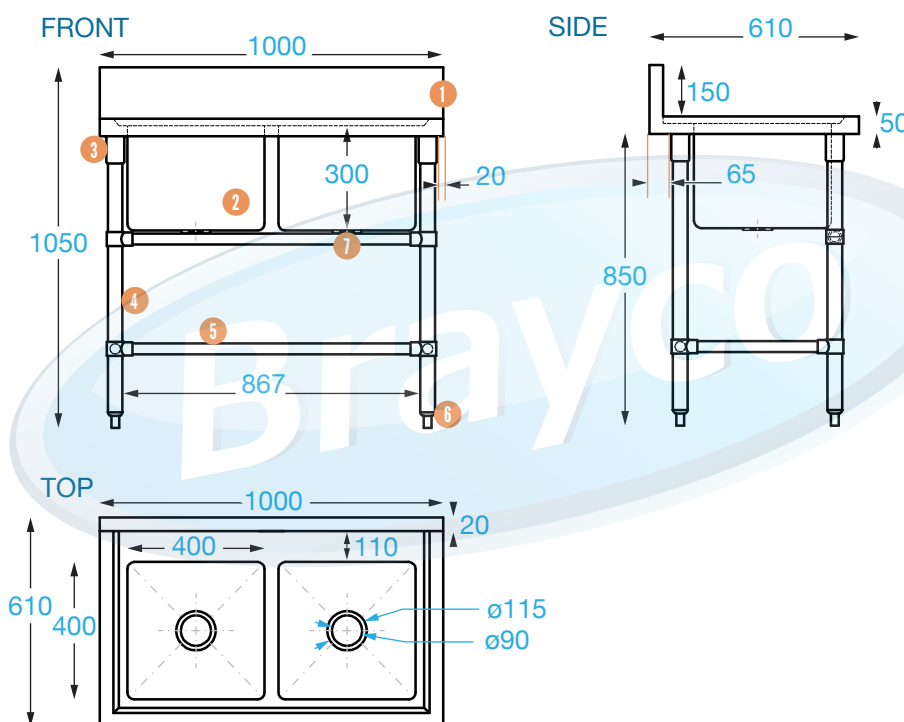
- Sink Drainer Included.
- Construction: Our units are fully stainless steel. Very sturdy.
- Bowl: Fully welded for strength and superior durability.
- Tap Location: Untapped to allow for universal plumbing as required.
- Bar work: Fully adjustable
- Supplied Flat Packed: Simple assembly, instructions included.

OPTIONS

- **Splashback Extension:**  Convert your sink to a corner unit.
- **Under-sink shelf:** 650 mm long stainless steel shelf.



Code: SHELFSINK610





COMPONENTS

- 1 Splashback
- 2 Fully welded bowls
- 3 Welded sockets
- 4 Stainless legs
- 5 Rails (back, front & side)
- 6 Adjustable feet
- 7 Waste outlet

DIMENSIONS

- 150 mm (high), 20 mm (deep)
- 60 ltr capacity each
- 1.2 mm
- $\phi 42$ mm
- $\phi 32$ mm
- up to 35 mm (max)
- 90 mm (diameter)

 These products are compliant with all applicable Australian health department regulations.

 It is important that your stainless steel is kept clean to extend the lifetime of the product.



Brisbane • Sydney • Melbourne • Hobart • Adelaide • Perth • Auckland
For more info please contact your nearest Brayco Branch 1300 272 926 | brayco.com.au