

# DOUBLE SINK WITH LEFT HAND BENCH



This 700 mm sink range is modular to the Brayco 700 mm deep cabinets and splashback benches.



## 700 SERIES SINK

### Overall Dimensions:

1900 (w) x 700 (d) x 1050 mm (h)

### Bowl Size:

500 (w) x 450 (d) x 300 mm (h) each

**Capacity:** 67 L each

**Shipping Weight:** 38.9 kg

### Shipping Dimensions:

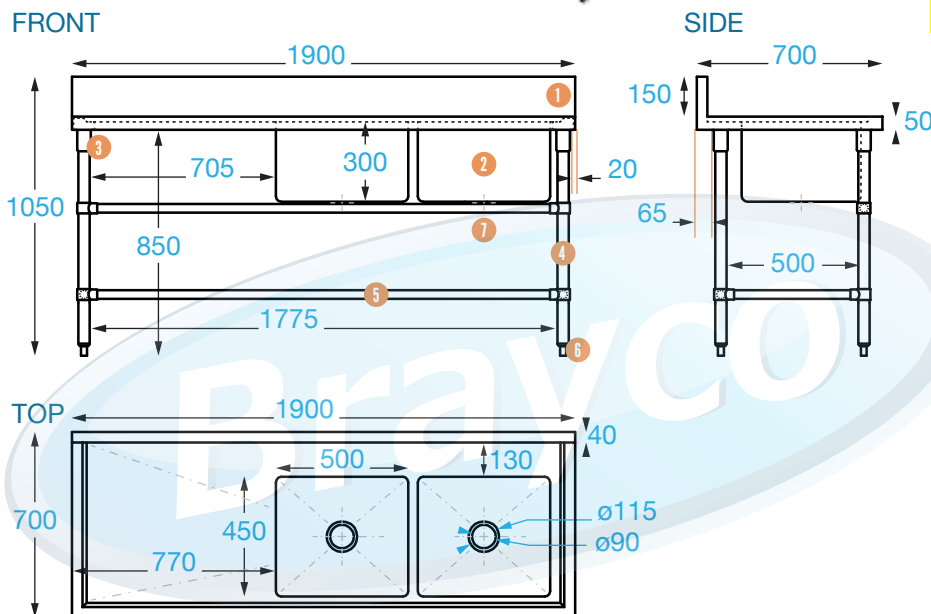
Sink: 1900 (w) x 700 (d) x 460 mm (h)

Legs: 1770 (w) x 170 (d) x 100 mm (h)

### Material:

Top: 1.2 mm 304 grade stainless steel

Legs: 201 grade 42 mm diameter stainless steel



**PRODUCT CODE:** DSL

Brayco Stainless Steel is made from 95% recycled materials

### FEATURES AND BENEFITS

- Sink drainer Included.
- Construction: Our units are fully stainless steel. Very sturdy.
- Bowl: Fully welded for strength and superior durability.
- Tap Location: Untapped to allow for universal plumbing as required.
- Bar work: Fully adjustable to accommodate glass or dishwasher, shelf etc.
- Supplied Flat Packed: Simple assembly, instructions included.

### OPTIONS

- **Splashback Extension:** Convert your sink to a corner unit.
- **Slatted Sink Cover:** Ideal drainer tray or to rinse food. Code: SCH500
- **Sink Cover:** Create extra work space. Code: SCB500
- **Under-sink shelf:** 650 mm long stainless steel shelf.

Code: SHELFSSINK700

### COMPONENTS

- |   |                            |                             |
|---|----------------------------|-----------------------------|
| 1 | Splashback                 | 150 mm (high), 40 mm (deep) |
| 2 | Fully welded bowls         | 65 ltr capacity             |
| 3 | Welded sockets             | 1.2 mm                      |
| 4 | Stainless legs             | $\phi 42$ mm                |
| 5 | Rails (back, front & side) | $\phi 32$ mm                |
| 6 | Adjustable feet            | up to 35 mm (max)           |
| 7 | Waste outlet               | 90 mm (diameter)            |

### DIMENSIONS



Can accommodate an under bench dishwasher of up to 850 x 580 x 550 mm (HxLxD).



These products are compliant with all applicable Australian health department regulations.



It is important that your stainless steel is kept clean to extend the lifetime of the product.



Brisbane • Sydney • Melbourne • Hobart • Adelaide • Perth • Auckland  
For more info please contact your nearest Brayco Branch 1300 272 926 | [brayco.com.au](http://brayco.com.au)