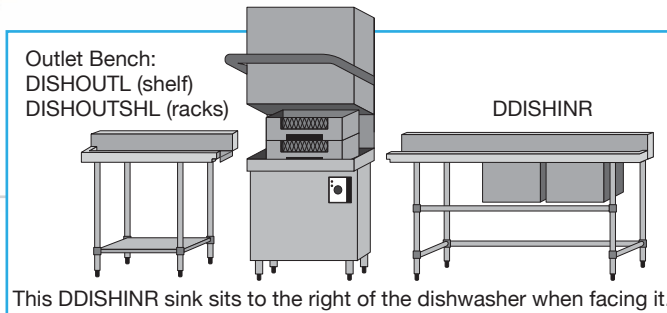


DOUBLE SINK DISHWASHER INLET 700mm DEEP LEFT OPENING

This 700 mm sink range is modular to the Brayco 700 mm deep sinks, cabinets and splashback benches.



700 SERIES DISHWASH INLET

Overall Dimensions:

1800 (w) x 700 (d) x 900 mm (h)

Splashback Height: 150 mm

Shipping Dimensions:

Sink: 1800 (w) x 700 (d) x 460 mm (h)

Legs: 1600 (w) x 170 (d) x 100 mm (h)

Shipping Weight: 38.3 kg

Material:

Top: 2 mm 304 grade stainless steel

Legs: 201 grade stainless steel

PRODUCT CODE: DDISHINR

Brayco Stainless Steel is made from 95% recycled materials

FEATURES AND BENEFITS

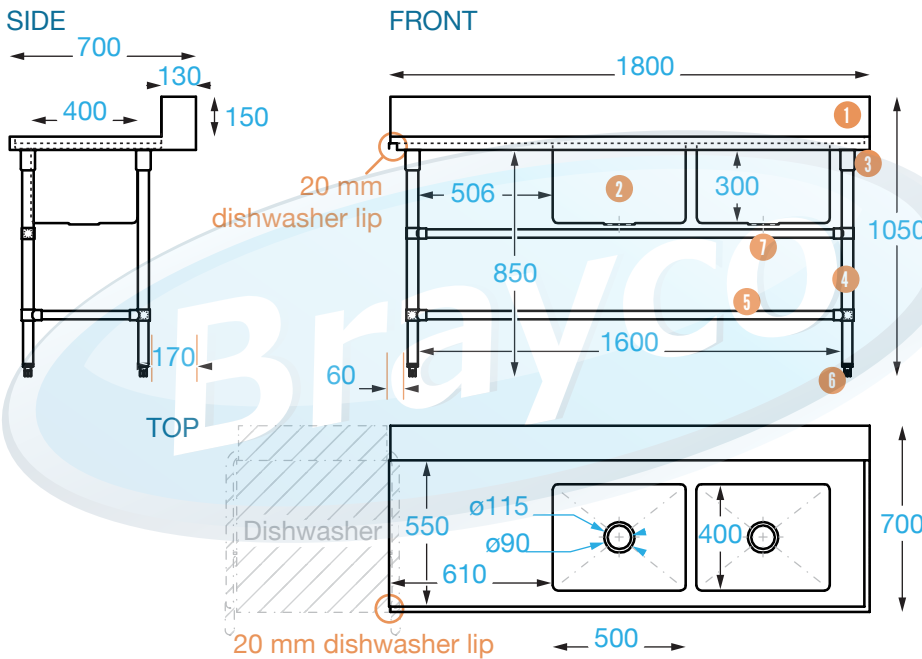
- **Construction:** Our units are fully stainless steel. Very sturdy.
- **Bowl:** Fully welded for strength and superior durability.
- **Tap Location:** Untapped to allow for universal plumbing as required.
- **Splashback:** 130mm deep for plumbing space and 150mm high.
- **Sink Drainer Included**
- **Bar Work:** Fully adjustable to accommodate glass, dishwasher or shelf etc.

OPTIONS

- **Slatted Sink Cover:** Ideal drainer tray or to rinse food. Code: SCH500

- **Sink Cover:** Create extra working space with a stainless steel sink cover. Code: SCB500

- **Underbench Sink Shelf:** Add extra storage. Code: Shelvesink610



COMPONENTS

- | | | |
|---|----------------------|--------------------------|
| ① | Splashback | 150 mm high x 130mm deep |
| ② | Fully welded bowls | 58 ltr capacity |
| ③ | Welded sockets | 1.2 mm |
| ④ | Stainless steel legs | Ø 42 |
| ⑤ | Leg Brace Rails | Ø 32 |
| ⑥ | Adjustable feet | up to 35 mm (max) |
| ⑦ | Waste outlet | 90 mm (diameter) |

These products are compliant with all applicable Australian health department regulations.

It is important that your stainless steel is kept clean to extend the lifetime of the product.



Brisbane • Sydney • Melbourne • Hobart • Adelaide • Perth • Auckland
For more info please contact your nearest Brayco Branch 1300 272 926 | brayco.com.au