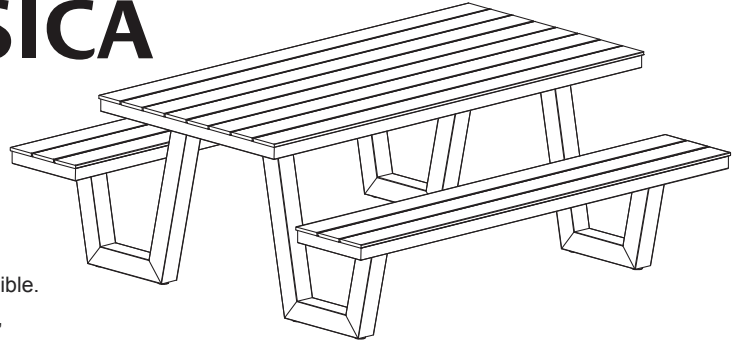


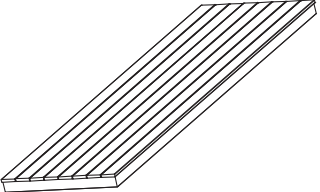
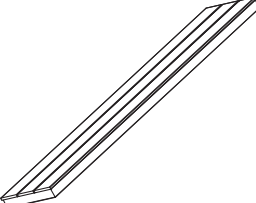
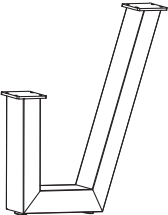




CORSPICAL174X180
CORSPICAL180X166



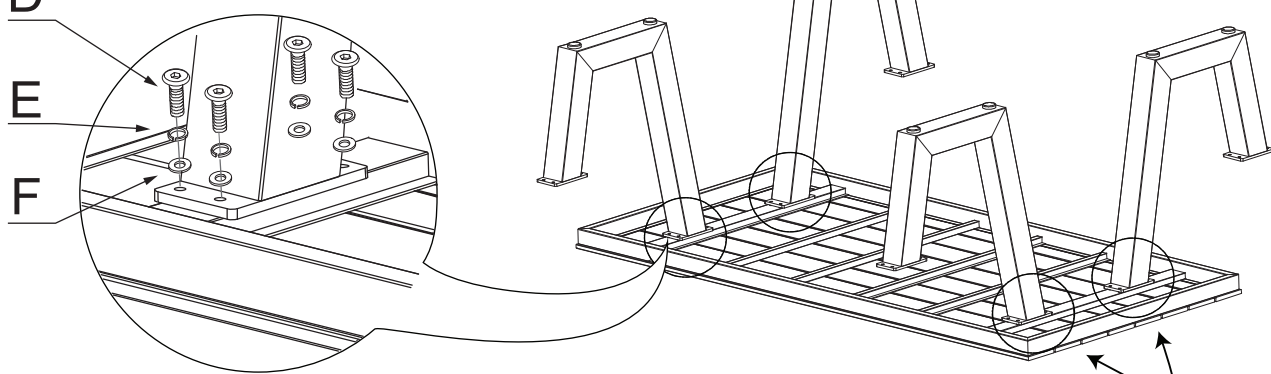
Assembly Instructions Wave Aluminium Picnic Table

Before assembly please check you have all parts listed below.
PLEASE NOTE: We've tried to make this table as easy to assemble as possible.
In the unlikely event you have problems putting it together or missing pieces,
please contact us.

PARTS LIST

<p>A table top</p>  <p>x 1</p>	<p>B bench seat</p>  <p>x 2</p>	<p>C legs</p>  <p>x 4</p>	<p>D (m6x20 screw)</p>  <p>x 32 + 3</p>	<p>F</p>  <p>x 32</p>
			<p>E</p>  <p>x 32</p>	<p>G allen key</p>  <p>x 1</p>

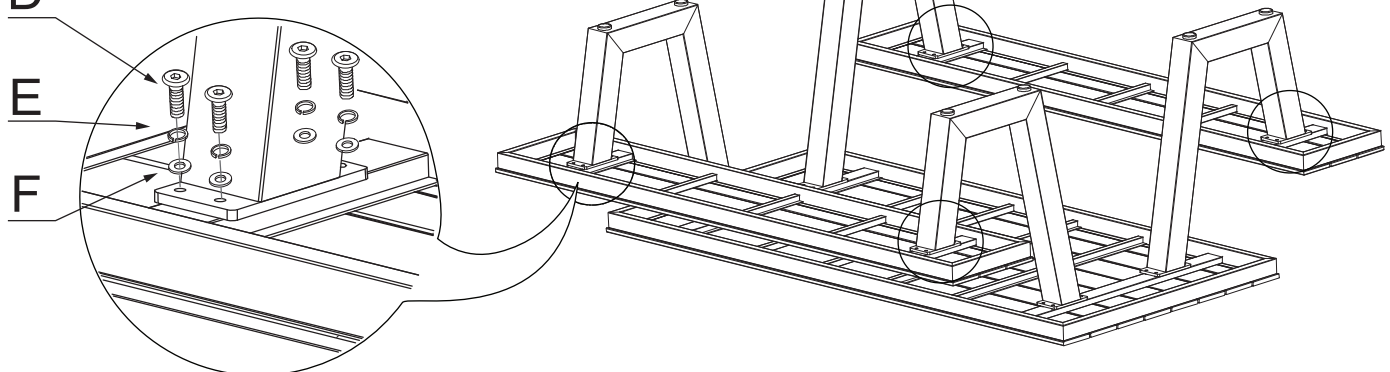
Step 1: Attach table top



****PROTECT YOUR TABLE DURING ASSEMBLY****
To protect your table top from scratches during assembly, please assemble on the cardboard box.

HANDY TIP: Hand tighten screws to allow a little movement when you attach the bench seat.

Step 2: Attach bench seats



Thank you for your purchase. Corsica tables are exclusively supplied by Chairforce.
To learn more about our products please visit www.chairforce.com.au and www.chairforce.co.nz
AU: Call: 08 9436 8570 Email: customer@brayco.com.au
NZ: Call: 09 271 5000 Email: sales@chairforce.co.nz



Please recycle these instructions