

3 DRAWER CABINET 610mm DEEP



This 610 mm cabinet range is modular to the Brayco 610 mm deep sinks, splashbacks and benches.

610 SERIES DRAWER CABINET

Overall Dimensions:

600 (w) x 610 (d) x 900 mm (h)

Shipping Dimensions:

600 (w) x 610 (d) x 900 mm (h)

Shipping Weight: 47.5 kg

Material:

Top: 1 mm 304 grade stainless steel



Door / Side / Internal:

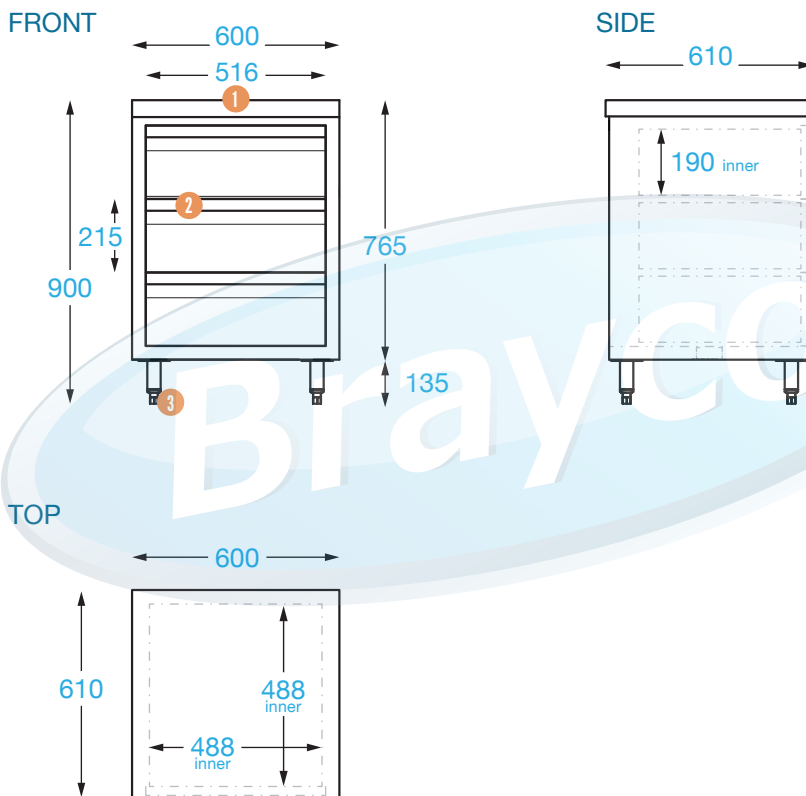
0.8 mm 430 grade stainless steel

PRODUCT CODE: CABDRAW3

Brayco Stainless Steel is made from 95% recycled materials

FEATURES AND BENEFITS

- High Grade Stainless Steel.
- Castors or Feet: Choose from adjustable feet or lockable castors.  
- Construction: Our units are fully stainless steel. Very sturdy.
- Spacious: 3 deep drawers can hold everything you need.
- Solid runners: The drawers are mounted on strong solid runners.
- Supplied Fully Assembled: Simply attach feet/castors. No extra cost.



COMPONENTS

- ① Working Surface 304 grade stainless steel
- ② Drawers 3 (Internal: 488 x 488 x 190 mm)
- Runners Heavy duty
- ③ Adjustable feet up to 55 mm (standard)
- Castors 4 x lockable castors (optional)

ADDITIONAL ITEMS

- Splashback Extension: Fix to the back and/or side of your cabinet. 

It is important that your stainless steel is kept clean to extend the lifetime of the product.



Brisbane • Sydney • Melbourne • Hobart • Adelaide • Perth • Auckland

For more info please contact your nearest Brayco Branch 1300 272 926 | brayco.com.au

Whilst all care has been taken when compiling this information, designs & dimensions shown are indicative only and should not be relied upon without prior approval. Brayco reserves the right to make changes without notice.