

BBQ CABINET 700mm DEEP



700 SERIES BBQ CABINET

Overall Dimensions:

1000 (w) x 700 (d) x 900 mm (h)

Shipping Dimensions:

1000 (w) x 700 (d) x 900 mm (h)

Shipping Weight: 64.1 kg

Material:

Top:

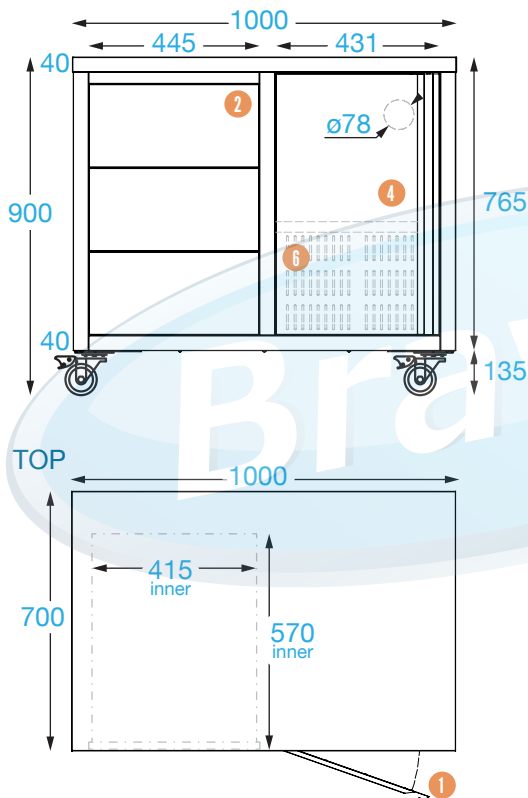
1 mm 304 grade stainless steel

Door / Side / Internal:

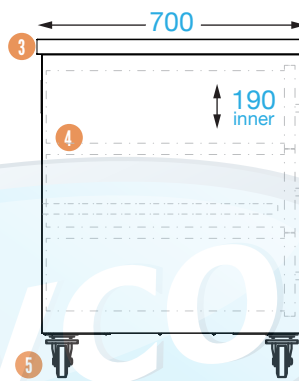
0.8 mm 430 grade stainless steel

This 700 mm cabinet range is modular to the Brayco 700 mm deep sinks and splashbacks.

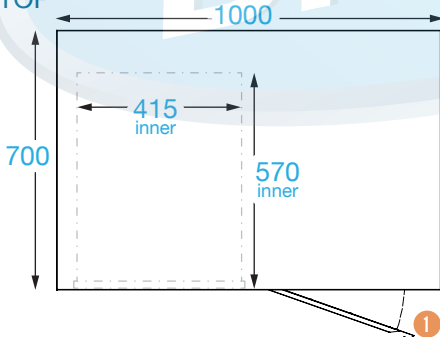
FRONT



SIDE



TOP



PRODUCT CODE: CABBQ10070

Brayco Stainless Steel is made from 95% recycled materials

FEATURES AND BENEFITS

- High Grade Stainless Steel.
- Castors or Feet: Choose from adjustable feet or lockable castors.
- **Extra Strong:** Legs and castors are attached by a thick steel plate with 4 bolts. Incredibly sturdy.
- **Hinge Doors:** Magnetic clasp, strong and reliable.
- **3 Drawers:** Deep drawers with solid runners. Strong.
- **Internal Shelf:** Height adjustable.
- **Supplied Fully Assembled:** Simply attach feet/castors. No extra cost.

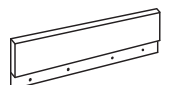


COMPONENTS

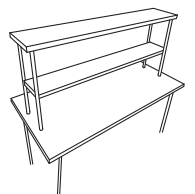
- 1 Hinged door With magnetic clasp.
- 2 Drawer Solid runners - STRONG
- 3 Working Surface Double skinned solid core construction
- 4 Inner shelf 0.8 mm (height adjustable)
- 5 Adjustable feet Adjustable up to 55 mm
- Castors 4 x lockable castors
- 6 Ventilation

ADDITIONAL ITEMS

• **Splashback Extension:** Fix to the back and/or side of your cabinet.



• **Overshelves:** 2 tier overshelves sit on top of bench.



! It is important that your stainless steel is kept clean to extend the lifetime of the product.



Brisbane • Sydney • Melbourne • Hobart • Adelaide • Perth • Auckland

For more info please contact your nearest Brayco Branch 1300 272 926 | brayco.com.au

Whilst all care has been taken when compiling this information, designs & dimensions shown are indicative only and should not be relied upon without prior approval. Brayco reserves the right to make changes without notice.