

4 DRAWER CABINET 610mm DEEP



610 SERIES DRAWER CABINET

Overall Dimensions:
2490 (w) x 610 (d) x 900 mm (h)

Shipping Dimensions:
2490 (w) x 610 (d) x 900 mm (h)

Shipping Weight: 134.2 kg

Material:
Top:
1 mm 304 grade stainless steel
Door / Side / Internal:
0.8 mm 430 grade stainless steel

This 610 mm cabinet range is modular to the Brayco 610 mm deep sinks, splashbacks and benches.

FRONT

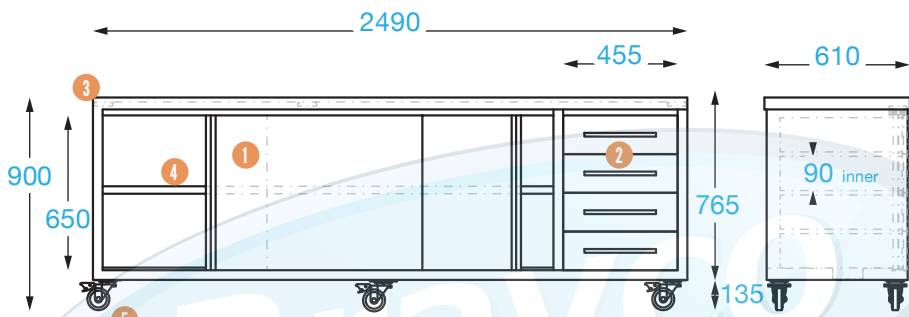
SIDE

PRODUCT CODE: CAB24904D

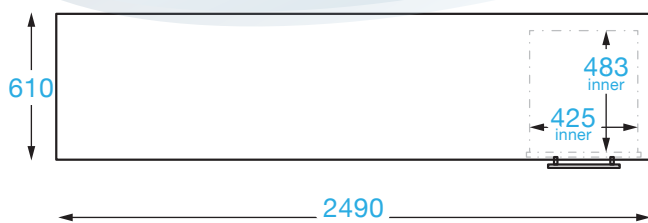
Brayco Stainless Steel is made from 95% recycled materials

FEATURES AND BENEFITS

- High Grade Stainless Steel.
- Castors or Feet: Choose from adjustable feet or lockable castors.
- **Extra Strong:** Legs and castors are attached by a thick steel plate with 4 bolts. Incredibly sturdy.
- **Sliding Doors:** 2 sliding doors offer plenty of storage.
- **4 Drawers:** Deep drawers with solid runners. Strong.
- **Internal Shelf:** Height adjustable.
- **Supplied Fully Assembled:** Simply attach feet/castors. No extra cost.



TOP

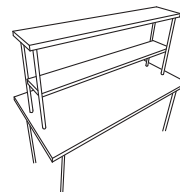
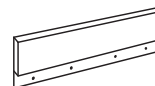


COMPONENTS

- | | | |
|---|----------------------------|--|
| 1 | Sliding doors | Top mounted ball-bearing stainless. |
| 2 | Drawer | Solid runners - STRONG |
| 3 | Working Surface | Double skinned solid core construction |
| 4 | Inner shelf | 0.8 mm (height adjustable) |
| 5 | Adjustable feet
Castors | Adjustable up to 55 mm
6 x lockable castors |

ADDITIONAL ITEMS

- **Splashback Extension:** Fix to the back and/or side of your cabinet.
- **Overshelves:** 2 tier overshelves sit on top of bench.



! It is important that your stainless steel is kept clean to extend the lifetime of the product.



Brisbane • Sydney • Melbourne • Hobart • Adelaide • Perth • Auckland
For more info please contact your nearest Brayco Branch 1300 272 926 | brayco.com.au