

# 3 DRAWER CABINET 610mm DEEP



## 610 SERIES DRAWER CABINET

**Overall Dimensions:**

1500 (w) x 610 (d) x 900 mm (h)

**Shipping Dimensions:**

1500 (w) x 610 (d) x 900 mm (h)

**Shipping Weight:** 91 kg


**Material:**

Top:

1 mm 304 grade stainless steel

Door / Side / Internal:


0.8 mm 430 grade stainless steel

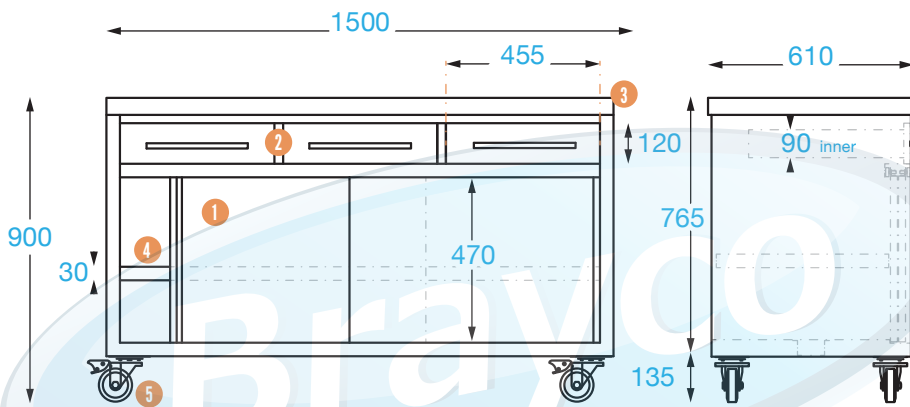
 This 610 mm cabinet range is modular to the Brayco 610 mm deep sinks, splashbacks and benches.

FRONT

SIDE

**PRODUCT CODE:** CAB1500

 Brayco Stainless Steel is made from 95% recycled materials



### FEATURES AND BENEFITS

• High Grade Stainless Steel.

• Castors or Feet:

Choose from adjustable feet or lockable castors.



• Extra Strong: Legs and castors are attached by a thick steel plate with 4 bolts. Incredibly sturdy.

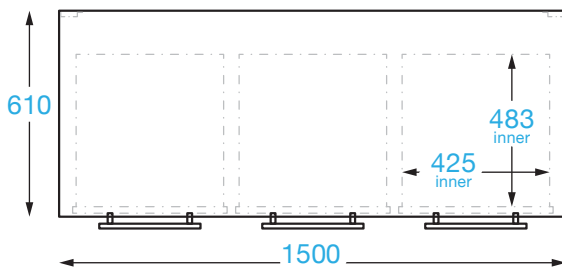
• Sliding Doors: 2 sliding doors offer plenty of storage.

• 3 Drawers: Deep drawers with solid runners. Strong.

• Internal Shelf: Height adjustable.

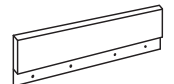
• Supplied Fully Assembled: Simply attach feet/castors. No extra cost.

TOP



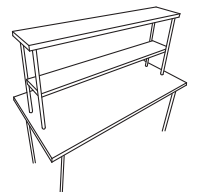
### ADDITIONAL ITEMS

• Splashback Extension: Fix to the back and/or side of your cabinet.



• Overshelves:

2 tier overshelves sit on top of bench.



### COMPONENTS

- |   |                 |  |
|---|-----------------|--|
| 1 | Sliding doors   | Top mounted ball-bearing stainless.    |
| 2 | Drawer          | Solid runners - STRONG                 |
| 3 | Working Surface | Double skinned solid core construction |
| 4 | Inner shelf     | 0.8 mm (height adjustable)             |
| 5 | Adjustable feet | Adjustable up to 55 mm                 |
|   | Castors         | 4 x lockable castors                   |



It is important that your stainless steel is kept clean to extend the lifetime of the product.



Brisbane • Sydney • Melbourne • Hobart • Adelaide • Perth • Auckland  
For more info please contact your nearest Brayco Branch 1300 272 926 | [brayco.com.au](http://brayco.com.au)