

# FLAT BENCHES 914mm DEEP WIDER ISLAND



## 914 SERIES FLAT BENCH

### Overall Dimensions:

914 (w) x 914 (d) x 900 mm (h)

### Loading Capacity:

Top: 180 kg, Undershelf: 100 kg

### Shipping Dimensions:

960 (w) x 970 (d) x 150 mm (h)

### Shipping Weight: 37 kg

### Material:

Top: 1.2 mm 304 grade stainless steel

Undershelf: 1.5 mm galvanised steel

Legs: 410 grade 42.5 mm diameter

stainless steel

### PRODUCT CODES: 3636

Brayco Stainless Steel is made from 95% recycled materials

### FEATURES AND BENEFITS

- Adjustable Height Undershelf.
- High Grade Stainless Steel.
- Supplied Flat Pack: Simple assembly required.
- Construction: Our units are fully stainless steel with round legs.
- Adjustable Feet: Supplied attached to leg. See additional items below for upgrade options.

### ADDITIONAL ITEMS

- 430 Grade Stainless Undershelf:

For extremely salty or chemical conditions.

- Leg Brace Rail Kit:

Remove the undershelf and add a rail kit for extra strength. Allows for extra storage such as a dishwasher, washing machine, etc.

- Lockable Drawers:

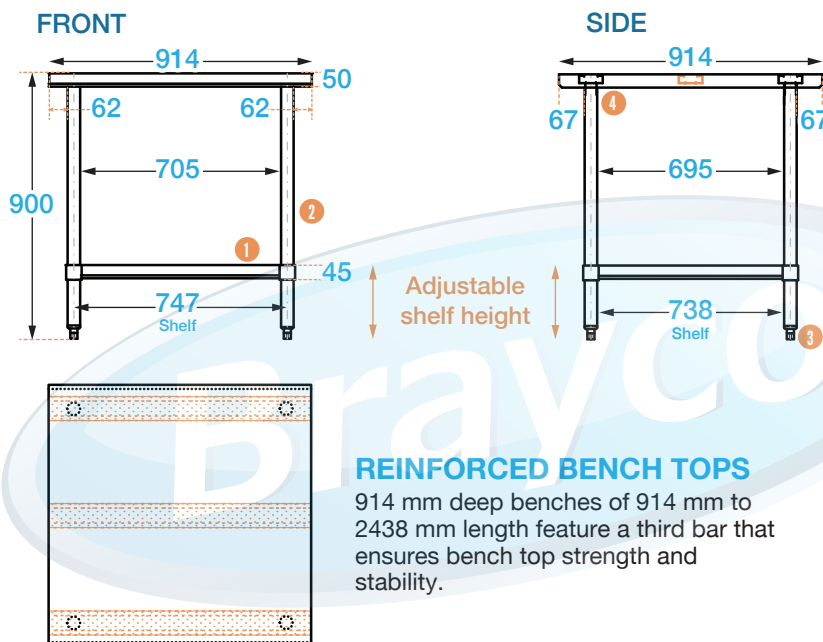
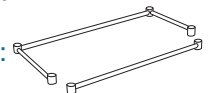
Add a unit with 1 or 2 lockable drawers.

- Leg attachments: Enclose

your bench by attaching panels.

- Overshelves: 2 tier overshelves sit on top of bench.

- Extra shelves also available



### REINFORCED BENCH TOPS

914 mm deep benches of 914 mm to 2438 mm length feature a third bar that ensures bench top strength and stability.

### COMPONENTS

- 1 Galvanised undershelf  
1.2 mm (height adjustable)
- 2 Stainless steel legs  
Ø 42.5 mm
- 3 Adjustable feet  
Adjustable up to 18 mm
- 4 Welded sockets  
1.2 mm

It is important that your stainless steel is kept clean to extend the lifetime of the product.



### LEG UPGRADES

- 201 Grade Stainless Legs & Feet:  
For extremely salty or chemical conditions. Feet adjust up to 38 mm.
- 410 Grade Stainless Legs & Lockable Castors
- 201 Grade Stainless Legs & Lockable Castors: For extremely salty or chemical conditions.
- 410 Grade Stainless Steel Legs & Screw Down Feet:  
Adjustable up to 20 mm.
- 201 Grade Stainless Steel Legs & Screw Down Feet:  
Adjustable up to 20 mm.



Brisbane • Sydney • Melbourne • Hobart • Adelaide • Perth • Auckland  
For more info please contact your nearest Brayco Branch 1300 272 926 | [brayco.com.au](http://brayco.com.au)