

SPLASHBACK BENCH 450mm DEEP



This 450 mm bench range is modular to the Brayco 450mm deep sink (SSN450) and splashback bench.

450 SERIES SPLASHBACK BENCH

Overall Dimensions:

1500 (w) x 450 (d) x 900 mm (h)

Splashback Height: 150 mm

Loading Capacity:

Top: 200 kg, Undershef: 60 kg

Shipping Weight: 35 kg

Shipping Dimensions:

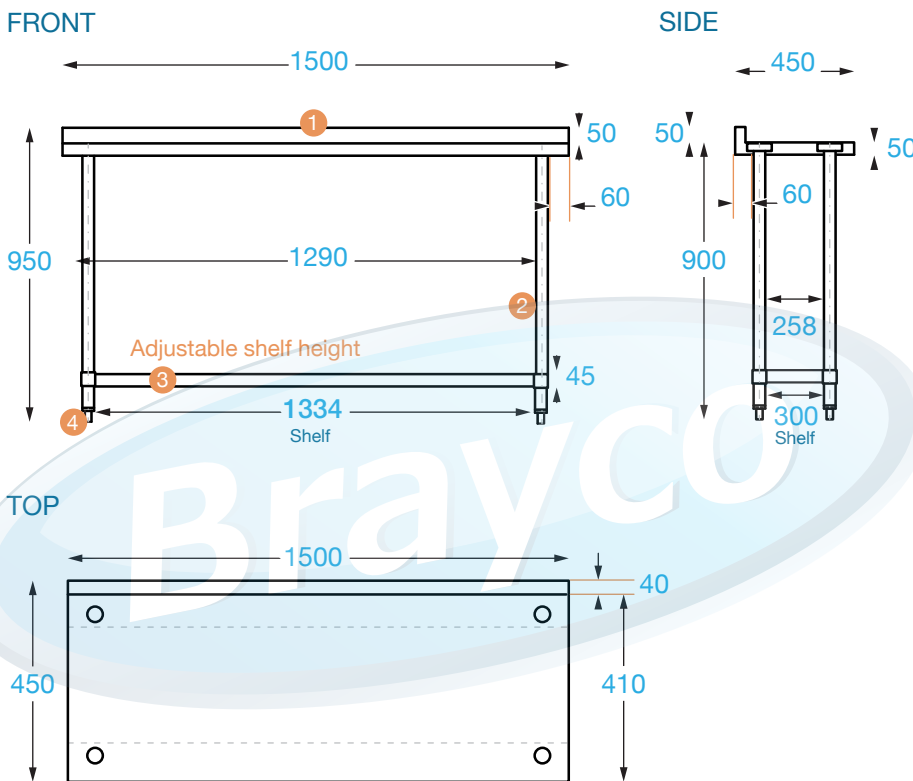
1540 (w) x 500 (d) x 150 mm (h)

Material:

Top: 1.2 mm 304 grade stainless steel

Undershef: 1.2 mm galvanised steel

Legs: 410 grade 42 mm diameter stainless steel



PRODUCT CODE: 15045SP

Brayco Stainless Steel is made from 95% recycled materials

FEATURES AND BENEFITS

- Adjustable Height Undershef.
- High Grade Stainless Steel.
- Supplied Flat Pack: Simple assembly required.
- Construction: Our bench tops and legs are fully stainless steel with round legs and a galvanised undershef.
- Built strong: Our benches feature 1.2 mm thick 304 grade stainless steel which is 20% thicker than some benches on the market.
- Splashback: 50 mm high.
- Adjustable Feet: Supplied attached to legs.

COMPONENTS

- | | | |
|---|-----------------|----------------------------|
| 1 | Splashback | 50 mm (high), 40 mm (deep) |
| 2 | Legs | Ø 42 mm |
| 3 | Undershef | 1.5 mm (adjustable height) |
| 4 | Adjustable feet | Adjustable up to 18 mm |

LEGS UPGRADE

- 430 Grade Stainless Undershef: For extremely salty or chemical conditions.
- 201 Grade Stainless Legs & Feet: For extremely salty or chemical conditions. Feet adjust up to 38 mm.
- 410 Grade Stainless Legs & Lockable Castors
- 201 Grade Stainless Legs & Lockable Castors: For extremely salty or chemical conditions.
- 410 Grade Stainless Steel Legs & Lockable Castors: For extremely salty or chemical conditions.
- 410 Grade Stainless Steel Legs & Lockable Castors: Adjustable up to 20 mm.
- 201 Grade Stainless Steel Legs & Lockable Castors: Adjustable up to 20 mm.

These products are compliant with all applicable Australian health department regulations.

It is important that your stainless steel is kept clean to extend the lifetime of the product.



Brisbane • Sydney • Melbourne • Hobart • Adelaide • Perth • Auckland
 For more info please contact your nearest Brayco Branch 1300 272 926 | brayco.com.au