

SPLASHBACK BENCH 700mm DEEP



700 SERIES SPLASHBACK BENCH

Overall Dimensions:

1200 (w) x 700 (d) x 900 mm (h)

Splashback Height: 150 mm

Loading Capacity:

Top: 260 kg, Undershell: 100 kg

Shipping Dimensions:

Bench: 1230 (w) x 720 (d) x 260 mm (h)

Shipping Weight: 38 kg

Material:

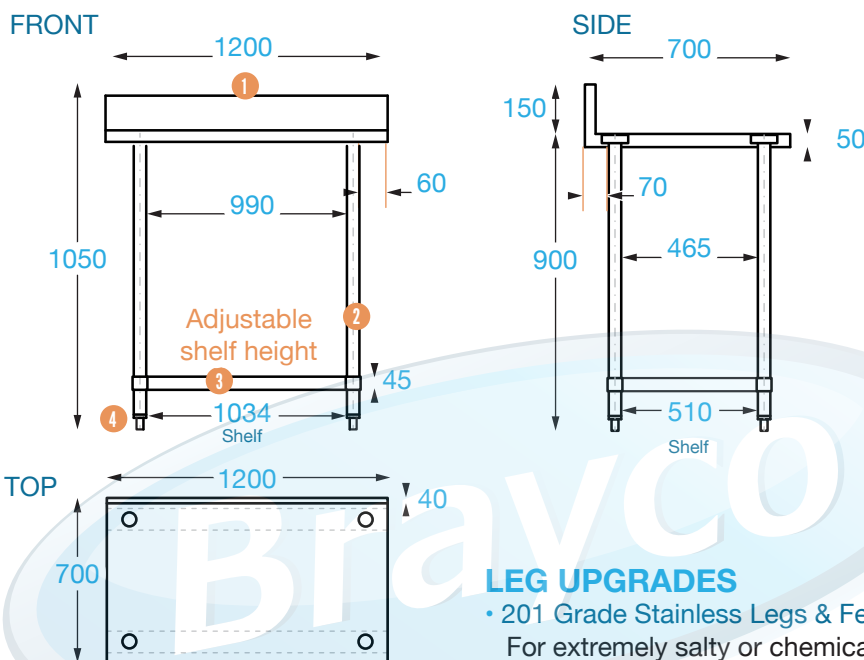
Top: 1.2 mm 304 stainless steel

Undershell: 1.2 mm galvanised steel

Legs: 410 grade 42 mm diameter stainless steel



This 700 mm splashback bench range is modular to the Brayco 700 mm deep sink and cabinet.



LEG UPGRADES

- **201 Grade Stainless Legs & Feet:** For extremely salty or chemical conditions. Feet adjust up to 38 mm.
- **410 Grade Stainless Legs & Lockable Castors**
- **201 Grade Stainless Legs & Lockable Castors:** For extremely salty or chemical conditions.
- **410 Grade Stainless Steel Legs & Screw Down Feet:** Adjustable up to 18 mm.
- **201 Grade Stainless Steel Legs & Screw Down Feet:** Adjustable up to 20 mm.

COMPONENTS

- 1 **Splashback**
150 mm (high), 40 mm (deep)
- 2 **Legs**
Ø 42 mm
- 3 **Undershell**
1.2 mm (adjustable height)
- 4 **Adjustable feet**
Feet adjust up to 18 mm

+ These products are compliant with all applicable Australian health department regulations.

! It is important that your stainless steel is kept clean to extend the lifetime of the product.

PRODUCT CODE: 12070SP

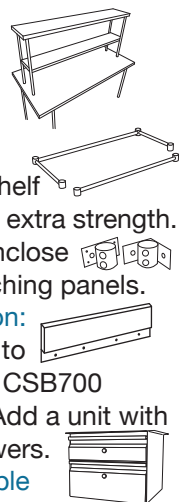
Brayco Stainless Steel is made from 95% recycled materials

FEATURES AND BENEFITS

- Adjustable Height Undershell.
- High Grade Stainless Steel.
- Supplied Flat Pack: Simple assembly required.
- Construction: Our units are fully stainless steel with round legs.
- Adjustable Feet: Supplied attached to leg. See additional items below for upgrade options.

ADDITIONAL ITEMS

- **430 Grade Stainless Undershell:** For extremely salty or chemical conditions.
- **Overshelves:** 2 tier overshelves sit on top of bench.
- **Leg Brace Rail Kit:** Remove the undershell and add a rail kit for extra strength.
- **Leg attachments:** Enclose your bench by attaching panels.
- **Splashback Extension:** Convert your bench to a corner unit. **Code:** CSB700
- **Lockable Drawers:** Add a unit with 1 or 2 lockable drawers.
- **Extra shelves available**



Brisbane • Sydney • Melbourne • Hobart • Adelaide • Perth • Auckland
For more info please contact your nearest Brayco Branch 1300 272 926 | brayco.com.au